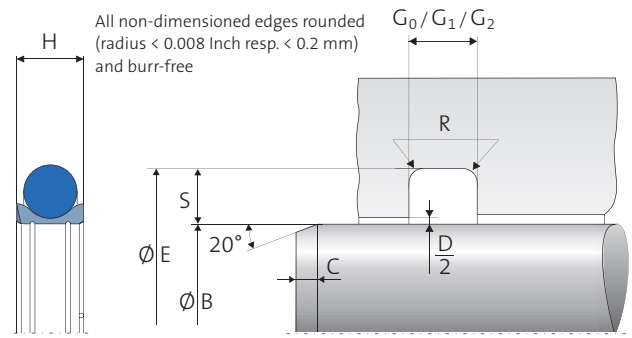
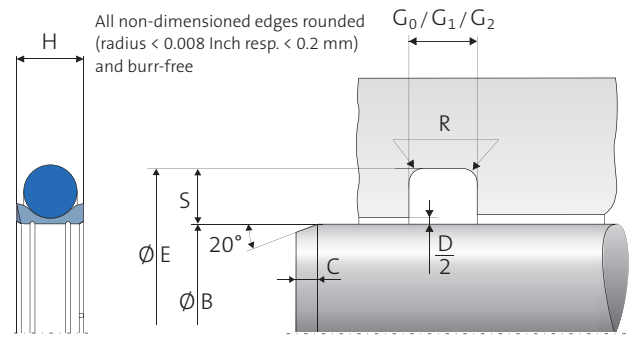


# GROOVE SIZES—OMS-CS STANDARD RANGE—METRIC (MM)



Dash No.	ØB Rod Diameter ID	Tolerance ØB	ØE Groove Diameter OD	Tolerance ØE	S Nominal Radial Gland (OD-ID)/2	H <sub>0</sub> Zero Backup Axial Seal Width	G <sub>0</sub> Zero Backup Width	H <sub>1</sub> One Backup Axial Seal Width	G <sub>1</sub> One Backup Width	H <sub>2</sub> Two Backup Axial Seal Width	G <sub>2</sub> Two Backup Width	R Radius max.	D Diametrical Clearance max.	C Axial Chamfer Length
004	1.93	-0.03	4.83	0.03	1.40	2.00	2.49/2.62	3.10	3.90/4.17	4.60	5.33/5.59	0.13 / 0.38	0.10	2.0
005	2.74	-0.03	5.51	0.03	1.40	2.00	2.49/2.62	3.10	3.90/4.17	4.60	5.33/5.59	0.13 / 0.38	0.10	2.0
006	3.12	-0.03	5.89	0.03	1.40	2.00	2.49/2.62	3.10	3.90/4.17	4.60	5.33/5.59	0.13 / 0.38	0.10	2.0
007	3.91	-0.03	6.71	0.03	1.40	2.00	2.49/2.62	3.10	3.90/4.17	4.60	5.33/5.59	0.13 / 0.38	0.10	2.0
008	4.70	-0.03	7.47	0.03	1.40	2.00	2.49/2.62	3.10	3.90/4.17	4.60	5.33/5.59	0.13 / 0.38	0.10	2.0
009	5.51	-0.03	8.31	0.03	1.40	2.00	2.49/2.62	3.10	3.90/4.17	4.60	5.33/5.59	0.13 / 0.38	0.10	2.0
010	6.30	-0.03	9.12	0.03	1.40	2.00	2.39/2.51	3.10	3.81/4.06	4.60	5.26/5.51	0.13 / 0.38	0.10	2.0
011	7.87	-0.03	10.69	0.03	1.40	2.00	2.39/2.51	3.10	3.81/4.06	4.60	5.26/5.51	0.13 / 0.38	0.10	2.0
012	9.47	-0.03	12.29	0.03	1.40	2.00	2.39/2.51	3.10	3.81/4.06	4.60	5.26/5.51	0.13 / 0.38	0.10	2.0
013	11.05	-0.05	13.84	0.05	1.40	2.00	2.39/2.51	3.10	3.81/4.06	4.60	5.26/5.51	0.13 / 0.38	0.13	2.0
014	12.65	-0.05	15.44	0.05	1.40	2.00	2.39/2.51	3.10	3.81/4.06	4.60	5.26/5.51	0.13 / 0.38	0.13	2.0
015	14.22	-0.05	17.02	0.05	1.40	2.00	2.39/2.51	3.10	3.81/4.06	4.60	5.26/5.51	0.13 / 0.38	0.13	2.0
016	15.82	-0.05	18.62	0.05	1.40	2.00	2.39/2.51	3.10	3.81/4.06	4.60	5.26/5.51	0.13 / 0.38	0.13	2.0
017	17.40	-0.05	20.19	0.05	1.40	2.00	2.39/2.51	3.10	3.81/4.06	4.60	5.26/5.51	0.13 / 0.38	0.13	2.0
018	19.00	-0.05	21.79	0.05	1.40	2.00	2.39/2.51	3.10	3.81/4.06	4.60	5.26/5.51	0.13 / 0.38	0.13	2.0
019	20.57	-0.05	23.37	0.05	1.40	2.00	2.39/2.51	3.10	3.81/4.06	4.60	5.26/5.51	0.13 / 0.38	0.13	2.0
020	22.17	-0.05	24.97	0.05	1.40	2.00	2.39/2.51	3.10	3.81/4.06	4.60	5.26/5.51	0.13 / 0.38	0.13	2.0
021	23.75	-0.05	26.54	0.05	1.40	2.00	2.39/2.51	3.10	3.81/4.06	4.60	5.26/5.51	0.13 / 0.38	0.13	2.0
022	25.35	-0.05	28.14	0.05	1.40	2.00	2.39/2.51	3.10	3.81/4.06	4.60	5.26/5.51	0.13 / 0.38	0.13	2.0
023	26.92	-0.05	29.72	0.05	1.40	2.00	2.39/2.51	3.10	3.81/4.06	4.60	5.26/5.51	0.13 / 0.38	0.13	2.0
024	28.52	-0.05	31.32	0.05	1.40	2.00	2.39/2.51	3.10	3.81/4.06	4.60	5.26/5.51	0.13 / 0.38	0.13	2.0
025	30.10	-0.05	32.89	0.05	1.40	2.00	2.39/2.51	3.10	3.81/4.06	4.60	5.26/5.51	0.13 / 0.38	0.13	2.0
026	31.70	-0.05	34.49	0.05	1.40	2.00	2.39/2.51	3.10	3.81/4.06	4.60	5.26/5.51	0.13 / 0.38	0.13	2.0
027	33.27	-0.05	36.07	0.05	1.40	2.00	2.39/2.51	3.10	3.81/4.06	4.60	5.26/5.51	0.13 / 0.38	0.13	2.0
028	34.87	-0.05	37.67	0.05	1.40	2.00	2.39/2.51	3.10	3.81/4.06	4.60	5.26/5.51	0.13 / 0.38	0.13	2.0
029	36.47	-0.05	39.27	0.05	1.40	2.00	2.39/2.51	3.10	3.81/4.06	4.60	5.26/5.51	0.13 / 0.38	0.13	2.0
030	38.07	-0.05	40.87	0.05	1.40	2.00	2.39/2.51	3.10	3.81/4.06	4.60	5.26/5.51	0.13 / 0.38	0.13	2.0
031	39.67	-0.05	42.47	0.05	1.40	2.00	2.39/2.51	3.10	3.81/4.06	4.60	5.26/5.51	0.13 / 0.38	0.13	2.0
032	41.27	-0.05	44.07	0.05	1.40	2.00	2.39/2.51	3.10	3.81/4.06	4.60	5.26/5.51	0.13 / 0.38	0.13	2.0
033	42.87	-0.05	45.67	0.05	1.40	2.00	2.39/2.51	3.10	3.81/4.06	4.60	5.26/5.51	0.13 / 0.38	0.13	2.0
034	44.47	-0.05	47.27	0.05	1.40	2.00	2.39/2.51	3.10	3.81/4.06	4.60	5.26/5.51	0.13 / 0.38	0.13	2.0
035	46.07	-0.05	48.87	0.05	1.40	2.00	2.39/2.51	3.10	3.81/4.06	4.60	5.26/5.51	0.13 / 0.38	0.13	2.0
036	47.67	-0.05	50.47	0.05	1.40	2.00	2.39/2.51	3.10	3.81/4.06	4.60	5.26/5.51	0.13 / 0.38	0.13	2.0
037	49.27	-0.05	52.07	0.05	1.40	2.00	2.39/2.51	3.10	3.81/4.06	4.60	5.26/5.51	0.13 / 0.38	0.13	2.0
038	50.87	-0.05	53.67	0.05	1.40	2.00	2.39/2.51	3.10	3.81/4.06	4.60	5.26/5.51	0.13 / 0.38	0.13	2.0
039	52.47	-0.05	55.27	0.05	1.40	2.00	2.39/2.51	3.10	3.81/4.06	4.60	5.26/5.51	0.13 / 0.38	0.13	2.0
040	54.07	-0.05	56.87	0.05	1.40	2.00	2.39/2.51	3.10	3.81/4.06	4.60	5.26/5.51	0.13 / 0.38	0.13	2.0
041	55.67	-0.05	58.47	0.05	1.40	2.00	2.39/2.51	3.10	3.81/4.06	4.60	5.26/5.51	0.13 / 0.38	0.13	2.0
042	57.27	-0.05	60.07	0.05	1.40	2.00	2.39/2.51	3.10	3.81/4.06	4.60	5.26/5.51	0.13 / 0.38	0.13	2.0
043	58.87	-0.05	61.67	0.05	1.40	2.00	2.39/2.51	3.10	3.81/4.06	4.60	5.26/5.51	0.13 / 0.38	0.13	2.0
044	60.47	-0.05	63.27	0.05	1.40	2.00	2.39/2.51	3.10	3.81/4.06	4.60	5.26/5.51	0.13 / 0.38	0.13	2.0
045	62.07	-0.05	64.87	0.05	1.40	2.00	2.39/2.51	3.10	3.81/4.06	4.60	5.26/5.51	0.13 / 0.38	0.13	2.0
046	63.67	-0.05	66.47	0.05	1.40	2.00	2.39/2.51	3.10	3.81/4.06	4.60	5.26/5.51	0.13 / 0.38	0.13	2.0
047	65.27	-0.05	68.07	0.05	1.40	2.00	2.39/2.51	3.10	3.81/4.06	4.60	5.26/5.51	0.13 / 0.38	0.13	2.0
048	66.87	-0.05	69.67	0.05	1.40	2.00	2.39/2.51	3.10	3.81/4.06	4.60	5.26/5.51	0.13 / 0.38	0.13	2.0
049	68.47	-0.05	71.27	0.05	1.40	2.00	2.39/2.51	3.10	3.81/4.06	4.60	5.26/5.51	0.13 / 0.38	0.13	2.0
050	70.07	-0.05	72.87	0.05	1.40	2.00	2.39/2.51	3.10	3.81/4.06	4.60	5.26/5.51	0.13 / 0.38	0.13	2.0
051	71.67	-0.05	74.47	0.05	1.40	2.00	2.39/2.51	3.10	3.81/4.06	4.60	5.26/5.51	0.13 / 0.38	0.13	2.0
052	73.27	-0.05	76.07	0.05	1.40	2.00	2.39/2.51	3.10	3.81/4.06	4.60	5.26/5.51	0.13 / 0.38	0.13	2.0
053	74.87	-0.05	77.67	0.05	1.40	2.00	2.39/2.51	3.10	3.81/4.06	4.60	5.26/5.51	0.13 / 0.38	0.13	2.0
054	76.47	-0.05	79.27	0.05	1.40	2.00	2.39/2.51	3.10	3.81/4.06	4.60	5.26/5.51	0.13 / 0.38	0.13	2.0
055	78.07	-0.05	80.87	0.05	1.40	2.00	2.39/2.51	3.10	3.81/4.06	4.60	5.26/5.51	0.13 / 0.38	0.13	2.0
056	79.67	-0.05	82.47	0.05	1.40	2.00	2.39/2.51	3.10	3.81/4.06	4.60	5.26/5.51	0.13 / 0.38	0.13	2.0
057	81.27	-0.05	84.07	0.05	1.40	2.00	2.39/2.51	3.10	3.81/4.06	4.60	5.26/5.51	0.13 / 0.38	0.13	2.0
058	82.87	-0.05	85.67	0.05	1.40	2.00	2.39/2.51	3.10	3.81/4.06	4.60	5.26/5.51	0.13 / 0.38	0.13	2.0
059	84.47	-0.05	87.27	0.05	1.40	2.00	2.39/2.51	3.10	3.81/4.06	4.60	5.26/5.51	0.13 / 0.38	0.13	2.0
060	86.07	-0.05	88.87	0.05	1.40	2.00	2.39/2.51	3.10	3.81/4.06	4.60	5.26/5.51	0.13 / 0.38	0.13	2.0
061	87.67	-0.05	90.47	0.05	1.40	2.00	2.39/2.51	3.10	3.81/4.06	4.60	5.26/5.51	0.13 / 0.38	0.13	2.0
062	89.27	-0.05	92.07	0.05	1.40	2.00	2.39/2.51	3.10	3.81/4.06	4.60	5.26/5.51	0.13 / 0.38	0.13	2.0
063	90.87	-0.05	93.67	0.05	1.40	2.00	2.39/2.51	3.10	3.81/4.06	4.60	5.26/5.51	0.13 / 0.38	0.13	2.0
064	92.47	-0.05	95.27	0.05	1.40	2.00	2.39/2.51	3.10	3.81/4.06	4.60	5.26/5.51	0.13 / 0.38	0.13	2.0
065	94.07	-0.05	96.87	0.05	1.40	2.00	2.39/2.51	3.10	3.81/4.06	4.60	5.26/5.51	0.13 / 0.38	0.13	2.0
066	95.67	-0.05	98.47	0.05	1.40	2.00	2.39/2.51	3.10	3.81/4.06	4.60	5.26/5.51	0.13 / 0.38	0.13	2.0
067	97.27	-0.05	100.07	0.05	1.40	2.00	2.39/2.51	3.10	3.81/4.06	4.60	5.26/5.51	0.13 / 0.38	0.13	2.0
068	98.87	-0.05	101.67	0.05	1.40	2.00	2.39/2.51	3.10	3.81/4.06	4.60	5.26/5.51	0.13 / 0.38	0.13	2.0
069	100.47	-0.05	103.27	0.05	1.40	2.00	2.39/2.51	3.10	3.81/4.06	4.60	5.26/5.51	0.13 / 0.38	0.13	2.0
070	102.07	-0.05	104.87	0.05	1.40	2.00	2.39/2.51	3.10	3.81/4.06	4.60	5.26/5.51	0.13 / 0.38	0.13	2.0
071	103.67	-0.05	106.47	0.05	1.40	2.00	2.39/2.51	3.10	3.81/4.06	4.60	5.26/5.51	0.13 / 0.38	0.13	2.0
072	105.27	-0.05	108.07	0.05	1.40	2.00	2.39/2.51	3.10	3.81/4.06	4.60	5.26/5.51	0.13 / 0.38	0.13	2.0
073	106.87	-0.05	109.67	0.05	1.40	2.00	2.39/2.51	3.10	3.81/4.06	4.60	5.26/5.51	0.13 / 0.38	0.13	2.0
074	108.47	-0.05	111.27	0.05	1.40	2.00	2.39/2.51	3.10	3.81/4.06	4.60	5.26/5.51	0.13 / 0.38	0.13	2.0
075	110.07	-0.05	112.87	0.05	1.40	2.00	2.39/2.51	3.10	3.81/4.06	4.60	5.26/5.51	0.13 / 0.38	0.13	2.0
076	111.67	-0.05	114.47	0.05	1.40	2.00	2.39/2.51	3.10	3.81/4.06	4.60	5.26/5.51	0.13 / 0.38	0.13	2.0
077	113.27	-0.05	116.07	0.05	1.40	2.00	2.39/2.51	3.10	3.81/4.06</					

# GROOVE SIZES—OMS-CS STANDARD RANGE—METRIC (MM)

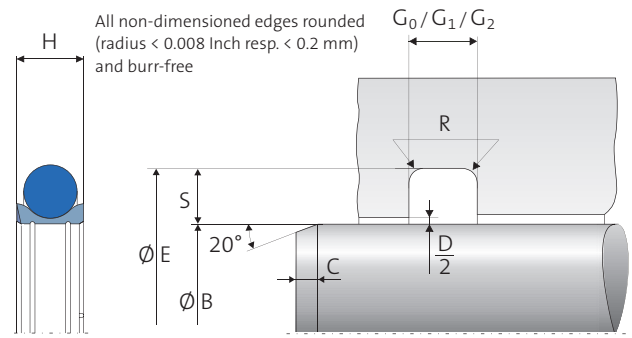


Dash No.	ØB Rod Diameter ID	Tolerance ØB	ØE Groove Diameter OD	Tolerance ØE	S Nominal Radial Gland (OD-ID)/2	H <sub>0</sub> Zero Backup Axial Seal Width	G <sub>0</sub> Zero Backup Width	H <sub>1</sub> One Backup Axial Seal Width	G <sub>1</sub> One Backup Width	H <sub>2</sub> Two Backup Axial Seal Width	G <sub>2</sub> Two Backup Width	R Radius max.	D Diametrical Clearance max.	C Axial Chamfer Length
110	9.47	-0.05	13.87	0.05	2.21	2.90	3.58/3.84	3.95	4.65/4.90	5.50	6.22/6.48	0.13 / 0.38	0.13	3.0
111	11.05	-0.05	15.47	0.05	2.21	2.90	3.58/3.84	3.95	4.65/4.90	5.50	6.22/6.48	0.13 / 0.38	0.13	3.0
112	12.65	-0.05	17.07	0.05	2.21	2.90	3.58/3.84	3.95	4.65/4.90	5.50	6.22/6.48	0.13 / 0.38	0.13	3.0
113	14.22	-0.05	18.64	0.05	2.21	2.90	3.58/3.84	3.95	4.65/4.90	5.50	6.22/6.48	0.13 / 0.38	0.13	3.0
114	15.82	-0.05	20.24	0.05	2.21	2.90	3.58/3.84	3.95	4.65/4.90	5.50	6.22/6.48	0.13 / 0.38	0.13	3.0
115	17.40	-0.05	21.82	0.05	2.21	2.90	3.58/3.84	3.95	4.65/4.90	5.50	6.22/6.48	0.13 / 0.38	0.13	3.0
116	19.00	-0.05	23.44	0.05	2.21	2.90	3.58/3.84	3.95	4.65/4.90	5.50	6.22/6.48	0.13 / 0.38	0.13	3.0
117	20.57	-0.05	25.02	0.05	2.21	2.90	3.58/3.84	3.95	4.65/4.90	5.50	6.22/6.48	0.13 / 0.38	0.13	3.0
118	22.17	-0.05	26.62	0.05	2.21	2.90	3.58/3.84	3.95	4.65/4.90	5.50	6.22/6.48	0.13 / 0.38	0.13	3.0
119	23.75	-0.05	28.19	0.05	2.21	2.90	3.58/3.84	3.95	4.65/4.90	5.50	6.22/6.48	0.13 / 0.38	0.13	3.0
120	25.35	-0.05	29.79	0.05	2.21	2.90	3.58/3.84	3.95	4.65/4.90	5.50	6.22/6.48	0.13 / 0.38	0.13	3.0
121	26.92	-0.05	31.37	0.05	2.21	2.90	3.58/3.84	3.95	4.65/4.90	5.50	6.22/6.48	0.13 / 0.38	0.13	3.0
122	28.52	-0.05	32.97	0.05	2.21	2.90	3.58/3.84	3.95	4.65/4.90	5.50	6.22/6.48	0.13 / 0.38	0.13	3.0
123	30.10	-0.05	34.54	0.05	2.21	2.90	3.58/3.84	3.95	4.65/4.90	5.50	6.22/6.48	0.13 / 0.38	0.13	3.0
124	31.70	-0.05	36.14	0.05	2.21	2.90	3.58/3.84	3.95	4.65/4.90	5.50	6.22/6.48	0.13 / 0.38	0.13	3.0
125	33.27	-0.05	37.72	0.05	2.21	2.90	3.58/3.84	3.95	4.65/4.90	5.50	6.22/6.48	0.13 / 0.38	0.13	3.0
126	34.87	-0.05	39.32	0.05	2.21	2.90	3.58/3.84	3.95	4.65/4.90	5.50	6.22/6.48	0.13 / 0.38	0.13	3.0
127	36.45	-0.05	40.89	0.05	2.21	2.90	3.58/3.84	3.95	4.65/4.90	5.50	6.22/6.48	0.13 / 0.38	0.15	3.0
128	38.05	-0.05	42.49	0.05	2.21	2.90	3.58/3.84	3.95	4.65/4.90	5.50	6.22/6.48	0.13 / 0.38	0.15	3.0
129	39.62	-0.05	44.07	0.05	2.21	2.90	3.58/3.84	3.95	4.65/4.90	5.50	6.22/6.48	0.13 / 0.38	0.15	3.0
130	41.22	-0.05	45.67	0.05	2.21	2.90	3.58/3.84	3.95	4.65/4.90	5.50	6.22/6.48	0.13 / 0.38	0.15	3.0
131	42.80	-0.05	47.24	0.05	2.21	2.90	3.58/3.84	3.95	4.65/4.90	5.50	6.22/6.48	0.13 / 0.38	0.15	3.0
132	44.40	-0.05	48.84	0.05	2.21	2.90	3.58/3.84	3.95	4.65/4.90	5.50	6.22/6.48	0.13 / 0.38	0.15	3.0
133	45.97	-0.05	50.39	0.05	2.21	2.90	3.58/3.84	3.95	4.65/4.90	5.50	6.22/6.48	0.13 / 0.38	0.18	3.0
134	47.57	-0.05	51.99	0.05	2.21	2.90	3.58/3.84	3.95	4.65/4.90	5.50	6.22/6.48	0.13 / 0.38	0.18	3.0
135	49.17	-0.05	53.59	0.05	2.21	2.90	3.58/3.84	3.95	4.65/4.90	5.50	6.22/6.48	0.13 / 0.38	0.18	3.0
136	50.75	-0.05	55.17	0.05	2.21	2.90	3.58/3.84	3.95	4.65/4.90	5.50	6.22/6.48	0.13 / 0.38	0.18	3.0
137	52.35	-0.05	56.77	0.05	2.21	2.90	3.58/3.84	3.95	4.65/4.90	5.50	6.22/6.48	0.13 / 0.38	0.18	3.0
138	53.92	-0.05	58.34	0.05	2.21	2.90	3.58/3.84	3.95	4.65/4.90	5.50	6.22/6.48	0.13 / 0.38	0.18	3.0
139	55.52	-0.05	59.94	0.05	2.21	2.90	3.58/3.84	3.95	4.65/4.90	5.50	6.22/6.48	0.13 / 0.38	0.18	3.0
140	57.10	-0.05	61.52	0.05	2.21	2.90	3.58/3.84	3.95	4.65/4.90	5.50	6.22/6.48	0.13 / 0.38	0.18	3.0
141	58.70	-0.05	63.12	0.05	2.21	2.90	3.58/3.84	3.95	4.65/4.90	5.50	6.22/6.48	0.13 / 0.38	0.18	3.0
142	60.27	-0.05	64.69	0.05	2.21	2.90	3.58/3.84	3.95	4.65/4.90	5.50	6.22/6.48	0.13 / 0.38	0.18	3.0
143	61.87	-0.05	66.29	0.05	2.21	2.90	3.58/3.84	3.95	4.65/4.90	5.50	6.22/6.48	0.13 / 0.38	0.18	3.0

The information contained herein is believed to be reliable, but no representation, guarantees or warranties of any kind are made to its accuracy or suitability for any purpose. The information presented herein is based on laboratory testing and does not necessarily indicate end product performance. Full scale testing and end product performance are the responsibility of the user.

[www.fst.com](http://www.fst.com)

# GROOVE SIZES—OMS-CS STANDARD RANGE—METRIC (MM)

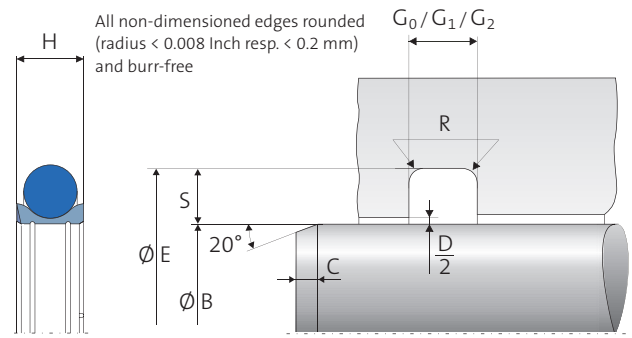


Dash No.	ØB Rod Diameter ID	Tolerance ØB	ØE Groove Diameter OD	Tolerance ØE	S Nominal Radial Gland (OD-ID)/2	H <sub>0</sub> Zero Backup Axial Seal Width	G <sub>0</sub> Zero Backup Width	H <sub>1</sub> One Backup Axial Seal Width	G <sub>1</sub> One Backup Width	H <sub>2</sub> Two Backup Axial Seal Width	G <sub>2</sub> Two Backup Width	R Radius max.	D Diametrical Clearance max.	C Axial Chamfer Length
144	63.45	-0.05	67.87	0.05	2.21	2.90	3.58/3.84	3.95	4.65/4.90	5.50	6.22/6.48	0.13 / 0.38	0.18	3.0
145	65.05	-0.05	69.47	0.05	2.21	2.90	3.58/3.84	3.95	4.65/4.90	5.50	6.22/6.48	0.13 / 0.38	0.18	3.0
146	66.62	-0.05	71.04	0.05	2.21	2.90	3.58/3.84	3.95	4.65/4.90	5.50	6.22/6.48	0.13 / 0.38	0.18	3.0
147	68.22	-0.05	72.64	0.05	2.21	2.90	3.58/3.84	3.95	4.65/4.90	5.50	6.22/6.48	0.13 / 0.38	0.18	3.0
148	69.80	-0.05	74.22	0.05	2.21	2.90	3.58/3.84	3.95	4.65/4.90	5.50	6.22/6.48	0.13 / 0.38	0.18	3.0
149	71.40	-0.05	75.82	0.05	2.21	2.90	3.58/3.84	3.95	4.65/4.90	5.50	6.22/6.48	0.13 / 0.38	0.18	3.0
210	19.00	-0.05	25.12	0.05	3.07	4.10	4.78/4.95	5.20	5.97/6.22	7.00	7.72/7.98	0.25 / 0.64	0.13	3.5
211	20.57	-0.05	26.70	0.05	3.07	4.10	4.78/4.95	5.20	5.97/6.22	7.00	7.72/7.98	0.25 / 0.64	0.13	3.5
212	22.17	-0.05	28.32	0.05	3.07	4.10	4.78/4.95	5.20	5.97/6.22	7.00	7.72/7.98	0.25 / 0.64	0.13	3.5
213	23.75	-0.05	29.90	0.05	3.07	4.10	4.78/4.95	5.20	5.97/6.22	7.00	7.72/7.98	0.25 / 0.64	0.13	3.5
214	25.35	-0.05	31.50	0.05	3.07	4.10	4.78/4.95	5.20	5.97/6.22	7.00	7.72/7.98	0.25 / 0.64	0.13	3.5
215	26.92	-0.05	33.07	0.05	3.07	4.10	4.78/4.95	5.20	5.97/6.22	7.00	7.72/7.98	0.25 / 0.64	0.13	3.5
216	28.52	-0.05	34.67	0.05	3.07	4.10	4.78/4.95	5.20	5.97/6.22	7.00	7.72/7.98	0.25 / 0.64	0.13	3.5
217	30.10	-0.05	36.25	0.05	3.07	4.10	4.78/4.95	5.20	5.97/6.22	7.00	7.72/7.98	0.25 / 0.64	0.13	3.5
218	31.70	-0.05	37.85	0.05	3.07	4.10	4.78/4.95	5.20	5.97/6.22	7.00	7.72/7.98	0.25 / 0.64	0.13	3.5
219	33.27	-0.05	39.42	0.05	3.07	4.10	4.78/4.95	5.20	5.97/6.22	7.00	7.72/7.98	0.25 / 0.64	0.13	3.5
220	34.87	-0.05	41.02	0.05	3.07	4.10	4.78/4.95	5.20	5.97/6.22	7.00	7.72/7.98	0.25 / 0.64	0.13	3.5
221	36.45	-0.05	42.60	0.05	3.07	4.10	4.78/4.95	5.20	5.97/6.22	7.00	7.72/7.98	0.25 / 0.64	0.13	3.5
222	38.05	-0.05	44.20	0.05	3.07	4.10	4.78/4.95	5.20	5.97/6.22	7.00	7.72/7.98	0.25 / 0.64	0.13	3.5
223	41.22	-0.05	47.37	0.05	3.07	4.10	4.78/4.95	5.20	5.97/6.22	7.00	7.72/7.98	0.25 / 0.64	0.15	3.5
224	44.40	-0.05	50.55	0.05	3.07	4.10	4.78/4.95	5.20	5.97/6.22	7.00	7.72/7.98	0.25 / 0.64	0.15	3.5
225	47.57	-0.05	53.72	0.05	3.07	4.10	4.78/4.95	5.20	5.97/6.22	7.00	7.72/7.98	0.25 / 0.64	0.18	3.5
226	50.75	-0.05	56.90	0.05	3.07	4.10	4.78/4.95	5.20	5.97/6.22	7.00	7.72/7.98	0.25 / 0.64	0.18	3.5
227	53.92	-0.05	60.07	0.05	3.07	4.10	4.78/4.95	5.20	5.97/6.22	7.00	7.72/7.98	0.25 / 0.64	0.18	3.5
228	57.10	-0.05	63.25	0.05	3.07	4.10	4.78/4.95	5.20	5.97/6.22	7.00	7.72/7.98	0.25 / 0.64	0.18	3.5
229	60.27	-0.05	66.42	0.05	3.07	4.10	4.78/4.95	5.20	5.97/6.22	7.00	7.72/7.98	0.25 / 0.64	0.18	3.5
230	63.45	-0.05	69.60	0.05	3.07	4.10	4.78/4.95	5.20	5.97/6.22	7.00	7.72/7.98	0.25 / 0.64	0.18	3.5
231	66.62	-0.05	72.77	0.05	3.07	4.10	4.78/4.95	5.20	5.97/6.22	7.00	7.72/7.98	0.25 / 0.64	0.18	3.5
232	69.80	-0.05	75.95	0.05	3.07	4.10	4.78/4.95	5.20	5.97/6.22	7.00	7.72/7.98	0.25 / 0.64	0.18	3.5
233	72.97	-0.05	79.12	0.05	3.07	4.10	4.78/4.95	5.20	5.97/6.22	7.00	7.72/7.98	0.25 / 0.64	0.18	3.5
234	76.12	-0.05	82.27	0.05	3.07	4.10	4.78/4.95	5.20	5.97/6.22	7.00	7.72/7.98	0.25 / 0.64	0.18	3.5
235	79.30	-0.05	85.45	0.05	3.07	4.10	4.78/4.95	5.20	5.97/6.22	7.00	7.72/7.98	0.25 / 0.64	0.18	3.5
236	82.47	-0.05	88.62	0.05	3.07	4.10	4.78/4.95	5.20	5.97/6.22	7.00	7.72/7.98	0.25 / 0.64	0.18	3.5

The information contained herein is believed to be reliable, but no representation, guarantees or warranties of any kind are made to its accuracy or suitability for any purpose. The information presented herein is based on laboratory testing and does not necessarily indicate end product performance. Full scale testing and end product performance are the responsibility of the user.

[www.fst.com](http://www.fst.com)

# GROOVE SIZES—OMS-CS STANDARD RANGE—METRIC (MM)

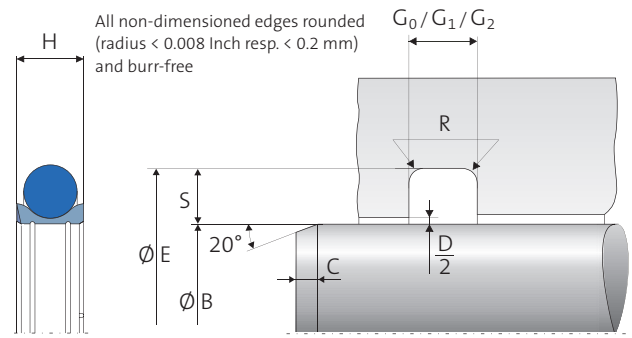


Dash No.	ØB Rod Diameter ID	Tolerance ØB	ØE Groove Diameter OD	Tolerance ØE	S Nominal Radial Gland (OD-ID)/2	H <sub>0</sub> Zero Backup Axial Seal Width	G <sub>0</sub> Zero Backup Width	H <sub>1</sub> One Backup Axial Seal Width	G <sub>1</sub> One Backup Width	H <sub>2</sub> Two Backup Axial Seal Width	G <sub>2</sub> Two Backup Width	R Radius max.	D Diametrical Clearance max.	C Axial Chamfer Length
237	85.65	-0.05	91.80	0.05	3.07	4.10	4.78/4.95	5.20	5.97/6.22	7.00	7.72/7.98	0.25 / 0.64	0.18	3.5
238	88.82	-0.05	94.97	0.05	3.07	4.10	4.78/4.95	5.20	5.97/6.22	7.00	7.72/7.98	0.25 / 0.64	0.18	3.5
239	92.00	-0.05	98.15	0.05	3.07	4.10	4.78/4.95	5.20	5.97/6.22	7.00	7.72/7.98	0.25 / 0.64	0.18	3.5
240	95.17	-0.05	101.32	0.05	3.07	4.10	4.78/4.95	5.20	5.97/6.22	7.00	7.72/7.98	0.25 / 0.64	0.18	3.5
241	98.35	-0.05	104.50	0.05	3.07	4.10	4.78/4.95	5.20	5.97/6.22	7.00	7.72/7.98	0.25 / 0.64	0.18	3.5
242	101.52	-0.05	107.67	0.05	3.07	4.10	4.78/4.95	5.20	5.97/6.22	7.00	7.72/7.98	0.25 / 0.64	0.18	3.5
243	104.70	-0.05	110.85	0.05	3.07	4.10	4.78/4.95	5.20	5.97/6.22	7.00	7.72/7.98	0.25 / 0.64	0.18	3.5
244	107.87	-0.05	114.02	0.05	3.07	4.10	4.78/4.95	5.20	5.97/6.22	7.00	7.72/7.98	0.25 / 0.64	0.18	3.5
245	111.05	-0.05	117.20	0.05	3.07	4.10	4.78/4.95	5.20	5.97/6.22	7.00	7.72/7.98	0.25 / 0.64	0.18	3.5
246	114.22	-0.05	120.37	0.05	3.07	4.10	4.78/4.95	5.20	5.97/6.22	7.00	7.72/7.98	0.25 / 0.64	0.20	3.5
247	117.40	-0.05	123.55	0.05	3.07	4.10	4.78/4.95	5.20	5.97/6.22	7.00	7.72/7.98	0.25 / 0.64	0.20	3.5
325	38.05	-0.05	47.50	0.05	4.72	6.40	7.14/7.39	7.80	8.48/8.74	10.10	10.77/11.02	0.51 / 0.89	0.15	5.5
326	41.22	-0.05	50.67	0.05	4.72	6.40	7.14/7.39	7.80	8.48/8.74	10.10	10.77/11.02	0.51 / 0.89	0.15	5.5
327	44.40	-0.05	53.85	0.05	4.72	6.40	7.14/7.39	7.80	8.48/8.74	10.10	10.77/11.02	0.51 / 0.89	0.15	5.5
328	47.57	-0.05	57.02	0.05	4.72	6.40	7.14/7.39	7.80	8.48/8.74	10.10	10.77/11.02	0.51 / 0.89	0.18	5.5
329	50.75	-0.05	60.20	0.05	4.72	6.40	7.14/7.39	7.80	8.48/8.74	10.10	10.77/11.02	0.51 / 0.89	0.18	5.5
330	53.92	-0.05	63.37	0.05	4.72	6.40	7.14/7.39	7.80	8.48/8.74	10.10	10.77/11.02	0.51 / 0.89	0.18	5.5
331	57.10	-0.05	66.55	0.05	4.72	6.40	7.14/7.39	7.80	8.48/8.74	10.10	10.77/11.02	0.51 / 0.89	0.18	5.5
332	60.27	-0.05	69.72	0.05	4.72	6.40	7.14/7.39	7.80	8.48/8.74	10.10	10.77/11.02	0.51 / 0.89	0.18	5.5
333	63.45	-0.05	72.90	0.05	4.72	6.40	7.14/7.39	7.80	8.48/8.74	10.10	10.77/11.02	0.51 / 0.89	0.18	5.5
334	66.62	-0.05	76.07	0.05	4.72	6.40	7.14/7.39	7.80	8.48/8.74	10.10	10.77/11.02	0.51 / 0.89	0.18	5.5
335	69.80	-0.05	79.25	0.05	4.72	6.40	7.14/7.39	7.80	8.48/8.74	10.10	10.77/11.02	0.51 / 0.89	0.18	5.5
336	72.97	-0.05	82.42	0.05	4.72	6.40	7.14/7.39	7.80	8.48/8.74	10.10	10.77/11.02	0.51 / 0.89	0.18	5.5
337	76.12	-0.05	85.57	0.05	4.72	6.40	7.14/7.39	7.80	8.48/8.74	10.10	10.77/11.02	0.51 / 0.89	0.18	5.5
338	79.30	-0.05	88.75	0.05	4.72	6.40	7.14/7.39	7.80	8.48/8.74	10.10	10.77/11.02	0.51 / 0.89	0.18	5.5
339	82.47	-0.05	91.92	0.05	4.72	6.40	7.14/7.39	7.80	8.48/8.74	10.10	10.77/11.02	0.51 / 0.89	0.18	5.5
340	85.65	-0.05	95.00	0.05	4.72	6.40	7.14/7.39	7.80	8.48/8.74	10.10	10.77/11.02	0.51 / 0.89	0.18	5.5
341	88.82	-0.05	98.27	0.05	4.72	6.40	7.14/7.39	7.80	8.48/8.74	10.10	10.77/11.02	0.51 / 0.89	0.18	5.5
342	92.00	-0.05	101.45	0.05	4.72	6.40	7.14/7.39	7.80	8.48/8.74	10.10	10.77/11.02	0.51 / 0.89	0.18	5.5
343	95.17	-0.05	104.62	0.05	4.72	6.40	7.14/7.39	7.80	8.48/8.74	10.10	10.77/11.02	0.51 / 0.89	0.18	5.5
344	98.35	-0.05	107.80	0.05	4.72	6.40	7.14/7.39	7.80	8.48/8.74	10.10	10.77/11.02	0.51 / 0.89	0.18	5.5
345	101.52	-0.05	110.97	0.05	4.72	6.40	7.14/7.39	7.80	8.48/8.74	10.10	10.77/11.02	0.51 / 0.89	0.18	5.5
346	104.70	-0.05	114.15	0.05	4.72	6.40	7.14/7.39	7.80	8.48/8.74	10.10	10.77/11.02	0.51 / 0.89	0.18	5.5

The information contained herein is believed to be reliable, but no representation, guarantees or warranties of any kind are made to its accuracy or suitability for any purpose. The information presented herein is based on laboratory testing and does not necessarily indicate end product performance. Full scale testing and end product performance are the responsibility of the user.

[www.fst.com](http://www.fst.com)

# GROOVE SIZES—OMS-CS STANDARD RANGE—METRIC (MM)

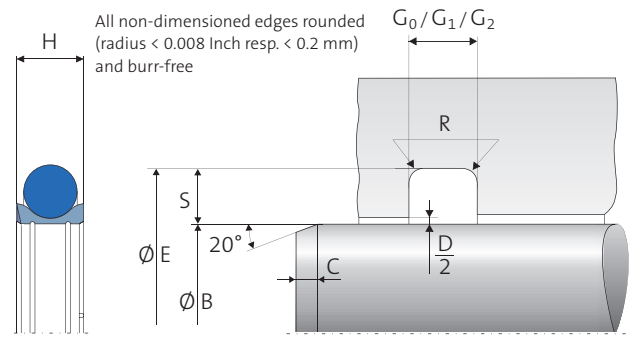


Dash No.	ØB Rod Diameter ID	Tolerance ØB	ØE Groove Diameter OD	Tolerance ØE	S Nominal Radial Gland (OD-ID)/2	H <sub>0</sub> Zero Backup Axial Seal Width	G <sub>0</sub> Zero Backup Width	H <sub>1</sub> One Backup Axial Seal Width	G <sub>1</sub> One Backup Width	H <sub>2</sub> Two Backup Axial Seal Width	G <sub>2</sub> Two Backup Width	R Radius max.	D Diametrical Clearance max.	C Axial Chamfer Length
347	107.87	-0.05	117.32	0.05	4.72	6.40	7.14/7.39	7.80	8.48/8.74	10.10	10.77/11.02	0.51 / 0.89	0.18	5.5
348	111.05	-0.05	120.50	0.05	4.72	6.40	7.14/7.39	7.80	8.48/8.74	10.10	10.77/11.02	0.51 / 0.89	0.18	5.5
349	114.22	-0.05	123.67	0.05	4.72	6.40	7.14/7.39	7.80	8.48/8.74	10.10	10.77/11.02	0.51 / 0.89	0.18	5.5
425	114.22	-0.08	126.34	0.08	6.06	8.80	9.53/9.78	10.80	12.07/12.32	14.00	14.71/14.96	0.51 / 0.89	0.23	8.0
426	117.40	-0.08	129.51	0.08	6.06	8.80	9.53/9.78	10.80	12.07/12.32	14.00	14.71/14.96	0.51 / 0.89	0.23	8.0
427	120.57	-0.08	132.69	0.08	6.06	8.80	9.53/9.78	10.80	12.07/12.32	14.00	14.71/14.96	0.51 / 0.89	0.23	8.0
428	123.75	-0.08	135.86	0.08	6.06	8.80	9.53/9.78	10.80	12.07/12.32	14.00	14.71/14.96	0.51 / 0.89	0.23	8.0
429	126.92	-0.08	139.04	0.08	6.06	8.80	9.53/9.78	10.80	12.07/12.32	14.00	14.71/14.96	0.51 / 0.89	0.23	8.0
430	130.10	-0.08	142.21	0.08	6.06	8.80	9.53/9.78	10.80	12.07/12.32	14.00	14.71/14.96	0.51 / 0.89	0.23	8.0
431	133.27	-0.08	145.39	0.08	6.06	8.80	9.53/9.78	10.80	12.07/12.32	14.00	14.71/14.96	0.51 / 0.89	0.23	8.0
432	136.45	-0.08	148.56	0.08	6.06	8.80	9.53/9.78	10.80	12.07/12.32	14.00	14.71/14.96	0.51 / 0.89	0.23	8.0
433	139.62	-0.08	151.74	0.08	6.06	8.80	9.53/9.78	10.80	12.07/12.32	14.00	14.71/14.96	0.51 / 0.89	0.23	8.0
434	142.80	-0.08	154.91	0.08	6.06	8.80	9.53/9.78	10.80	12.07/12.32	14.00	14.71/14.96	0.51 / 0.89	0.23	8.0
435	145.97	-0.08	158.09	0.08	6.06	8.80	9.53/9.78	10.80	12.07/12.32	14.00	14.71/14.96	0.51 / 0.89	0.23	8.0
436	149.15	-0.08	161.26	0.08	6.06	8.80	9.53/9.78	10.80	12.07/12.32	14.00	14.71/14.96	0.51 / 0.89	0.23	8.0
437	152.32	-0.08	164.44	0.08	6.06	8.80	9.53/9.78	10.80	12.07/12.32	14.00	14.71/14.96	0.51 / 0.89	0.23	8.0
438	158.67	-0.08	170.79	0.08	6.06	8.80	9.53/9.78	10.80	12.07/12.32	14.00	14.71/14.96	0.51 / 0.89	0.23	8.0
439	165.02	-0.08	177.14	0.08	6.06	8.80	9.53/9.78	10.80	12.07/12.32	14.00	14.71/14.96	0.51 / 0.89	0.25	8.0
440	171.37	-0.08	183.49	0.08	6.06	8.80	9.53/9.78	10.80	12.07/12.32	14.00	14.71/14.96	0.51 / 0.89	0.25	8.0
441	177.72	-0.08	189.84	0.08	6.06	8.80	9.53/9.78	10.80	12.07/12.32	14.00	14.71/14.96	0.51 / 0.89	0.25	8.0
442	184.07	-0.08	196.19	0.08	6.06	8.80	9.53/9.78	10.80	12.07/12.32	14.00	14.71/14.96	0.51 / 0.89	0.25	8.0
443	190.42	-0.08	202.54	0.08	6.06	8.80	9.53/9.78	10.80	12.07/12.32	14.00	14.71/14.96	0.51 / 0.89	0.25	8.0
444	196.77	-0.08	208.89	0.08	6.06	8.80	9.53/9.78	10.80	12.07/12.32	14.00	14.71/14.96	0.51 / 0.89	0.25	8.0
445	203.12	-0.08	215.24	0.08	6.06	8.80	9.53/9.78	10.80	12.07/12.32	14.00	14.71/14.96	0.51 / 0.89	0.25	8.0
446	215.82	-0.08	227.94	0.08	6.06	8.80	9.53/9.78	10.80	12.07/12.32	14.00	14.71/14.96	0.51 / 0.89	0.25	8.0
447	228.52	-0.10	240.64	0.10	6.06	8.80	9.53/9.78	10.80	12.07/12.32	14.00	14.71/14.96	0.51 / 0.89	0.25	8.0
448	241.22	-0.10	253.34	0.10	6.06	8.80	9.53/9.78	10.80	12.07/12.32	14.00	14.71/14.96	0.51 / 0.89	0.25	8.0
449	253.92	-0.10	266.04	0.10	6.06	8.80	9.53/9.78	10.80	12.07/12.32	14.00	14.71/14.96	0.51 / 0.89	0.25	8.0
450	266.62	-0.10	278.74	0.10	6.06	8.80	9.53/9.78	10.80	12.07/12.32	14.00	14.71/14.96	0.51 / 0.89	0.25	8.0
451	279.32	-0.10	291.44	0.10	6.06	8.80	9.53/9.78	10.80	12.07/12.32	14.00	14.71/14.96	0.51 / 0.89	0.25	8.0
452	292.02	-0.10	304.14	0.10	6.06	8.80	9.53/9.78	10.80	12.07/12.32	14.00	14.71/14.96	0.51 / 0.89	0.25	8.0
453	304.72	-0.10	316.84	0.10	6.06	8.80	9.53/9.78	10.80	12.07/12.32	14.00	14.71/14.96	0.51 / 0.89	0.25	8.0

The information contained herein is believed to be reliable, but no representation, guarantees or warranties of any kind are made to its accuracy or suitability for any purpose. The information presented herein is based on laboratory testing and does not necessarily indicate end product performance. Full scale testing and end product performance are the responsibility of the user.

[www.fst.com](http://www.fst.com)

# GROOVE SIZES—OMS-CS STANDARD RANGE—METRIC (MM)



Dash No.	ØB Rod Diameter ID	Tolerance ØB	ØE Groove Diameter OD	Tolerance ØE	S Nominal Radial Gland (OD-ID)/2	H <sub>0</sub> Zero Backup Axial Seal Width	G <sub>0</sub> Zero Backup Width	H <sub>1</sub> One Backup Axial Seal Width	G <sub>1</sub> One Backup Width	H <sub>2</sub> Two Backup Axial Seal Width	G <sub>2</sub> Two Backup Width	R Radius max.	D Diametrical Clearance max.	C Axial Chamfer Length
454	317.42	-0.10	329.54	0.10	6.06	8.80	9.53/9.78	10.80	12.07/12.32	14.00	14.71/14.96	0.51 / 0.89	0.25	8.0
455	330.12	-0.10	342.24	0.10	6.06	8.80	9.53/9.78	10.80	12.07/12.32	14.00	14.71/14.96	0.51 / 0.89	0.25	8.0
456	342.82	-0.10	354.94	0.10	6.06	8.80	9.53/9.78	10.80	12.07/12.32	14.00	14.71/14.96	0.51 / 0.89	0.25	8.0
457	355.52	-0.10	367.64	0.10	6.06	8.80	9.53/9.78	10.80	12.07/12.32	14.00	14.71/14.96	0.51 / 0.89	0.25	8.0
458	368.22	-0.10	380.34	0.10	6.06	8.80	9.53/9.78	10.80	12.07/12.32	14.00	14.71/14.96	0.51 / 0.89	0.25	8.0
459	380.92	-0.10	393.04	0.10	6.06	8.80	9.53/9.78	10.80	12.07/12.32	14.00	14.71/14.96	0.51 / 0.89	0.25	8.0
460	393.62	-0.10	405.74	0.10	6.06	8.80	9.53/9.78	10.80	12.07/12.32	14.00	14.71/14.96	0.51 / 0.89	0.25	8.0

The information contained herein is believed to be reliable, but no representation, guarantees or warranties of any kind are made to its accuracy or suitability for any purpose. The information presented herein is based on laboratory testing and does not necessarily indicate end product performance. Full scale testing and end product performance are the responsibility of the user.

[www.fst.com](http://www.fst.com)