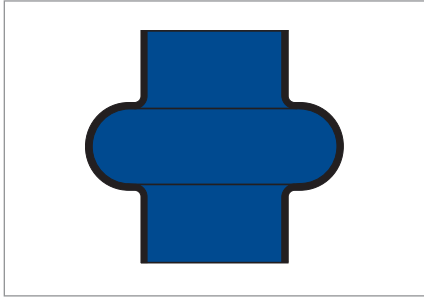


# SINGLE CONVOLUTION BELLOWS



Single Convolution Bellows

## PRODUCT DESCRIPTION

Single convolution bellows are protective components for shaft joints that are primarily subjected to angular movement. The axial flexibility is limited.

## PRODUCT ADVANTAGES

Single convolution bellows prevent the escape of lubricant at shaft joints and protect the joints against soiling.

## APPLICATION

Single convolution bellows are used when a short stroke and narrow angle are to be sealed.

Example: ball joint, connection of two tube ends.

## MATERIAL

Material	Hardness
CR	42/50 Shore A
NBR	approx. 45 Shore A

Other materials on enquiry (after clarification of the material-job specification and the type).

## OPERATING CONDITIONS

Material	Temperature	Dynamic loading	Mineral oil and grease resistance
CR	-40 ... +100 °C	very good	sufficient
NBR	-30 ... +100 °C	sufficient	good

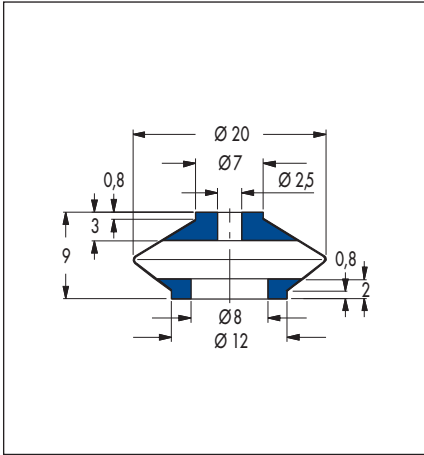
The values listed in the table are recommended values.

→ Technical Manual.

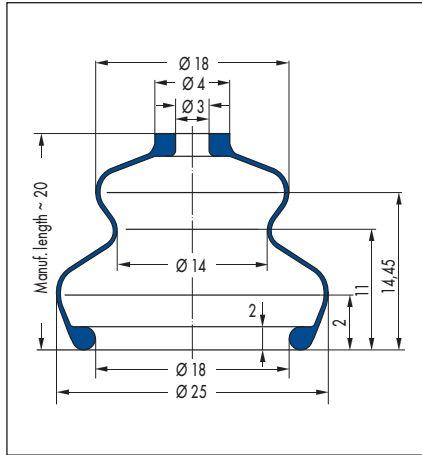
## FITTING & INSTALLATION

The moving section of the bellows must not come into contact with the sharp edges on the shaft joint or with the surrounding parts of the machine.

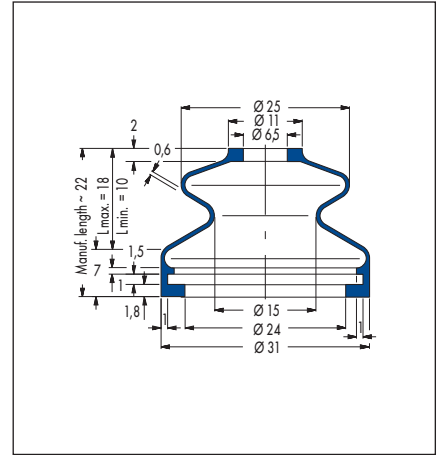
Hose clips should be used on the bellows connections to fasten the bellows to the joint.



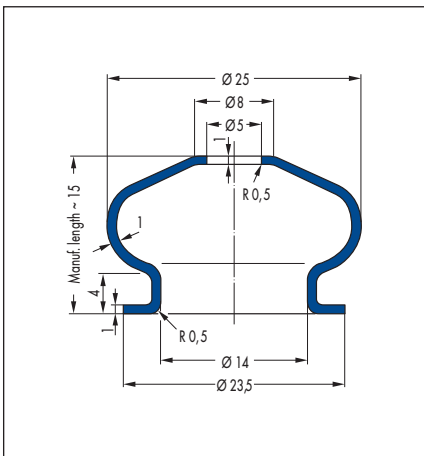
V6-00469, Article No. 29676



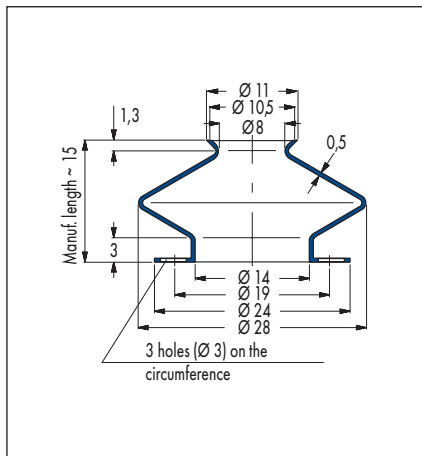
V6-01805, Article No. 401012



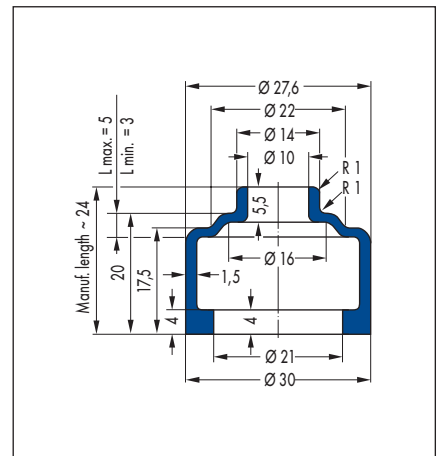
V6-01709, Article No. 440228



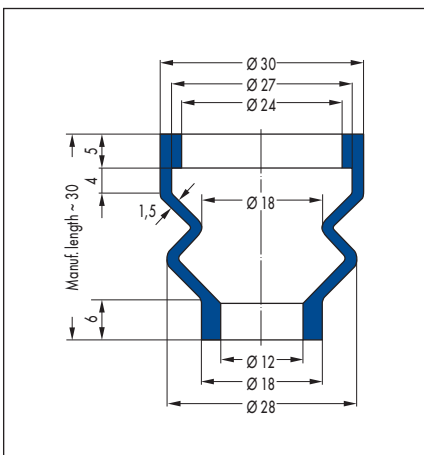
V6-00889, Article No. 38373



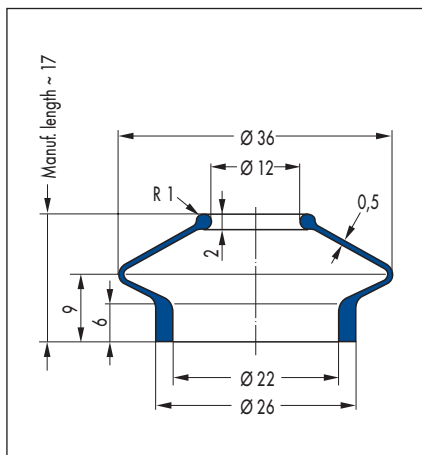
V6-00395, Article No. 439476



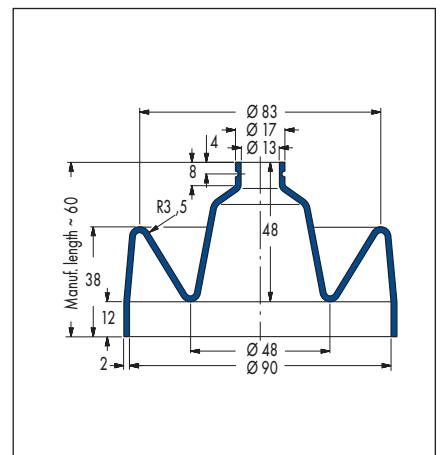
V6-00814, Article No. 25226



V6-01484, Article No. 129831

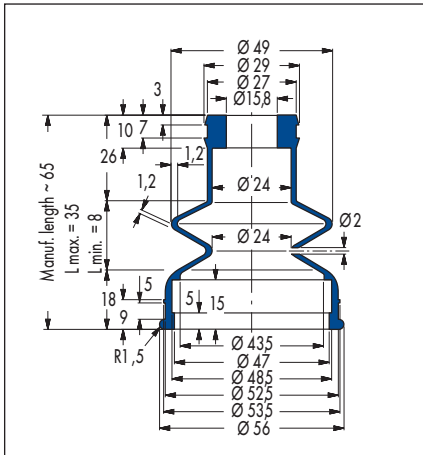


V6-00672, Article No. 400800

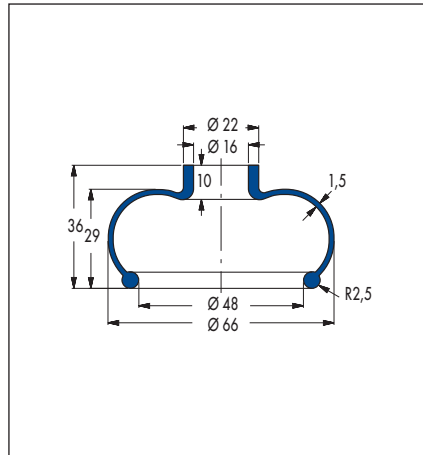


V6-00614, Article No. 457504

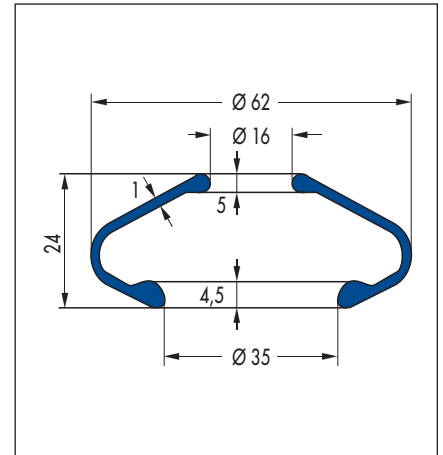
© Freudenberg Sealing Technologies GmbH & Co. KG | Special Sealing Products eCatalog 2015 | www.fst.com



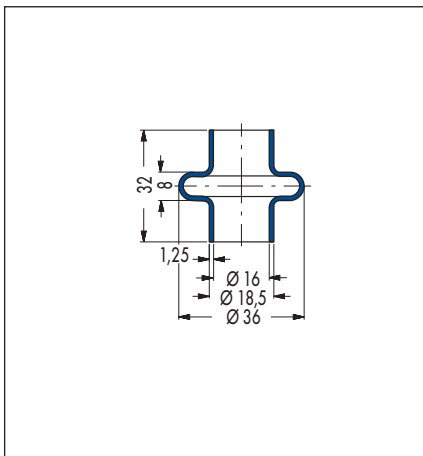
V6-00343, Article No. 440312



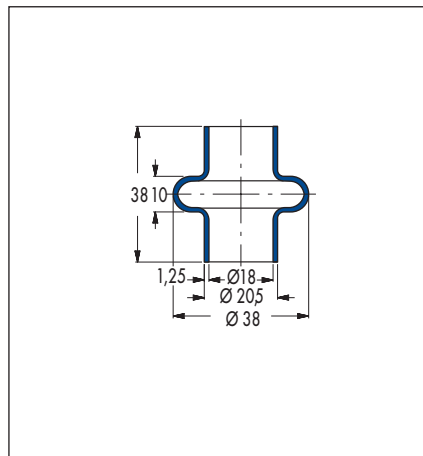
V6-00132, Article No. 29301



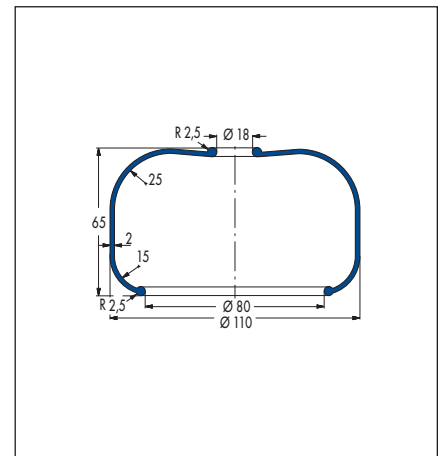
V6-00350, Article No. 439443



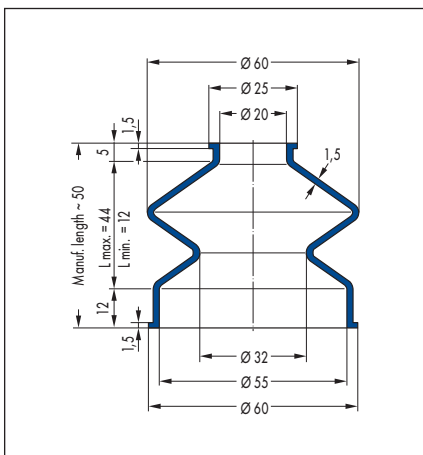
V6-00083, Article No. 430853



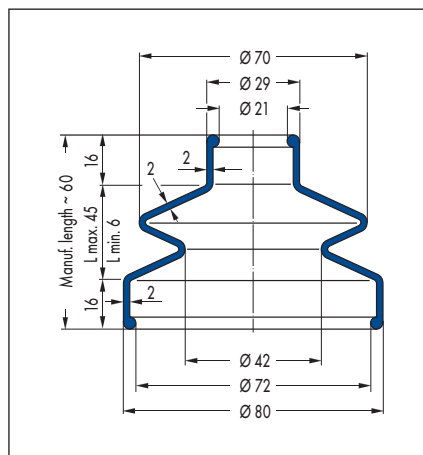
V6-00084, Article No. 431524



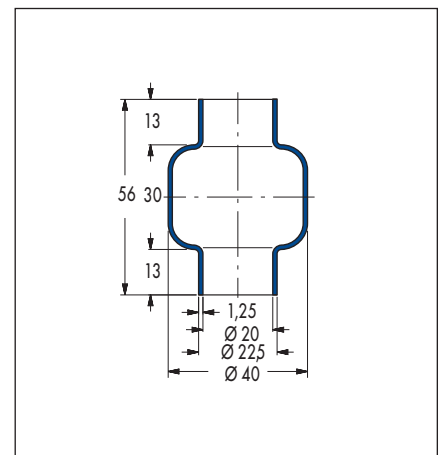
V6-00074, Article No. 29229



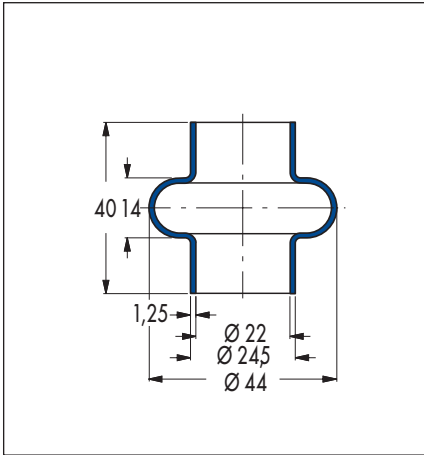
V6-00922, Article No. 400892



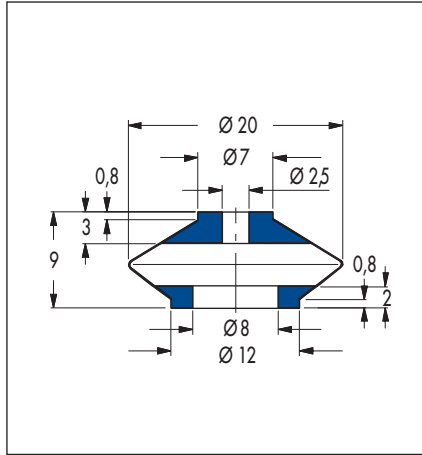
V6-00890, Article No. 400880



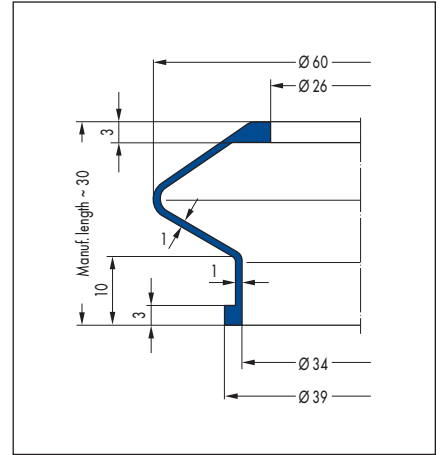
V6-00182, Article No. 436927 (NBR)/  
455544 (CR)



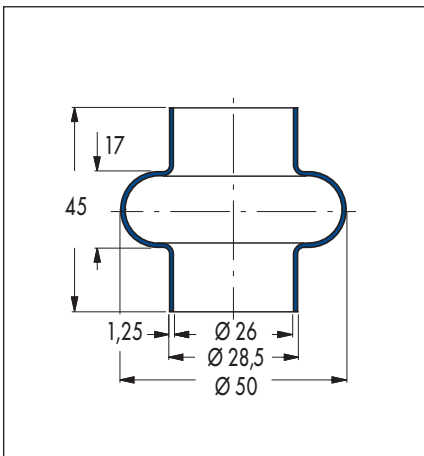
V6-00085, Article No. 435479



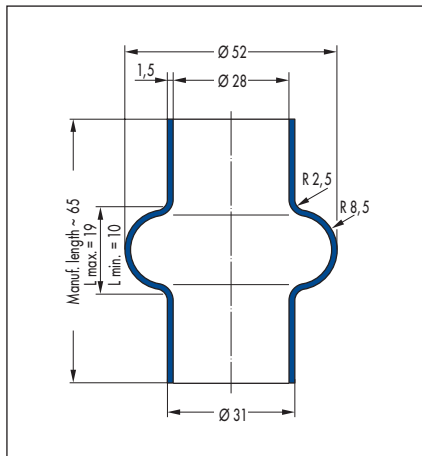
V6-00414, Article No. 436702 (CR)/  
436705 (NBR)



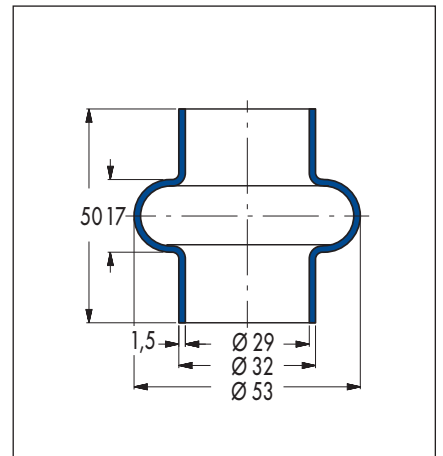
V6-01144, Article No. 372488



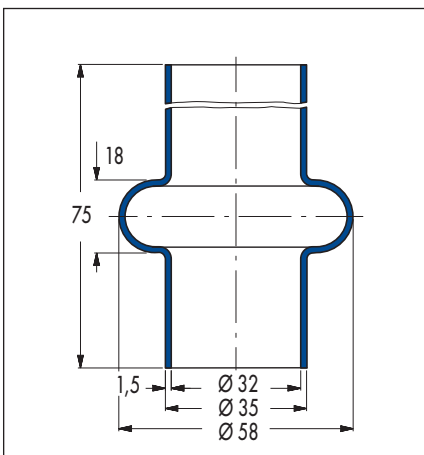
V6-00037, Article No. 438518



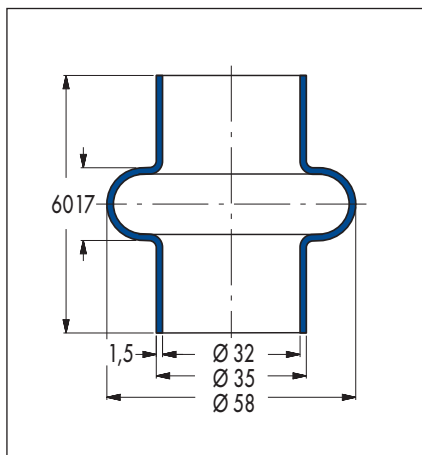
V6-00285, Article No. 440303



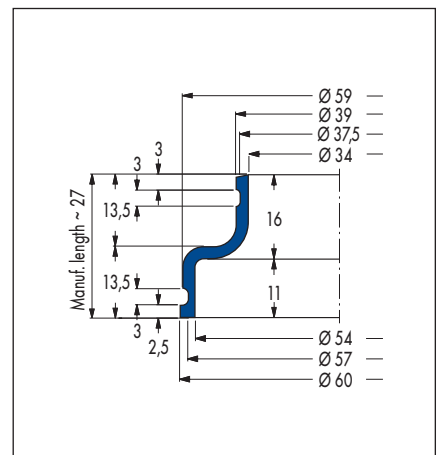
V6-00086, Article No. 436928



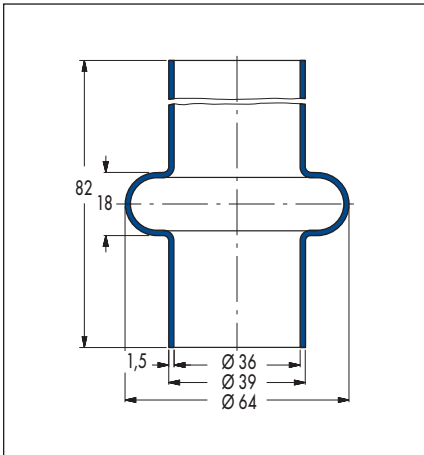
V6-00286, Article No. 434069



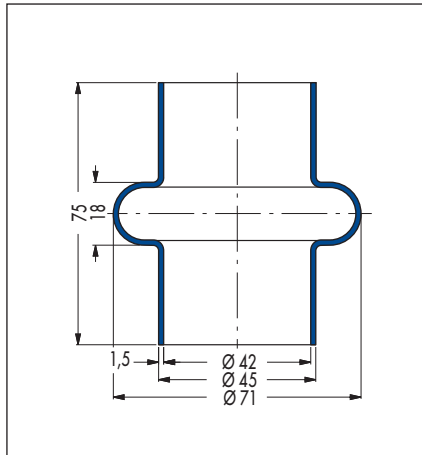
V6-00087, Article No. 434024



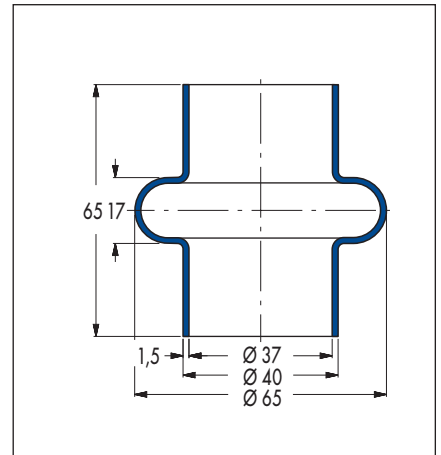
V6-00001, Article No. 311657



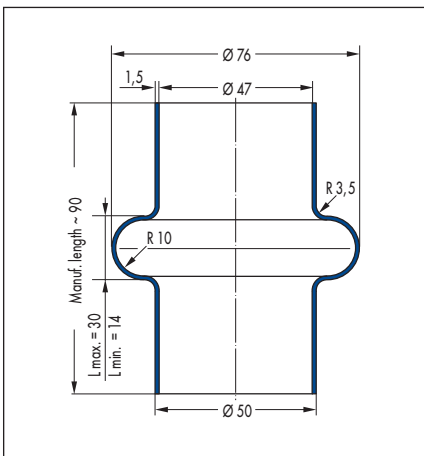
V6-00287, Article No. 436921



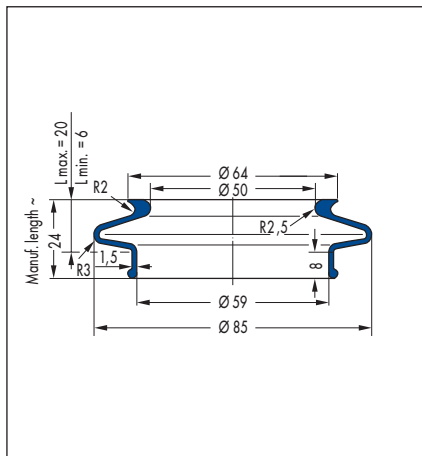
V6-00067, Article No. 430851 (NBR)/  
430852 (CR)



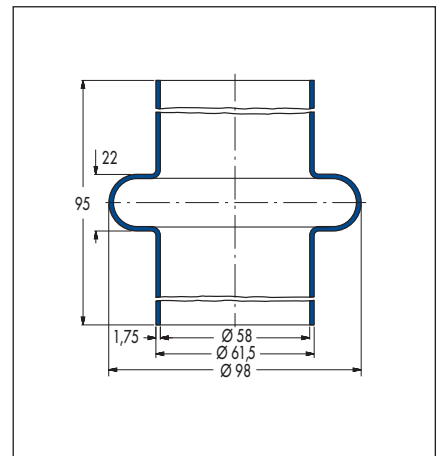
V6-00088, Article No. 440321



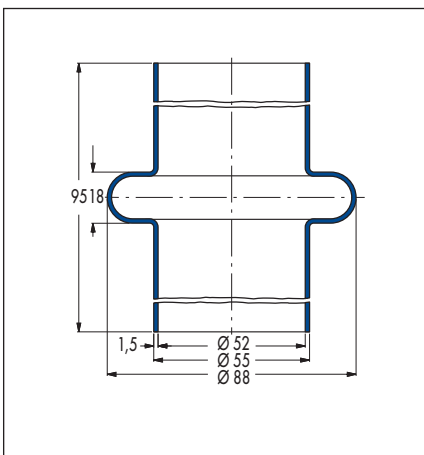
V6-00070, Article No. 437106



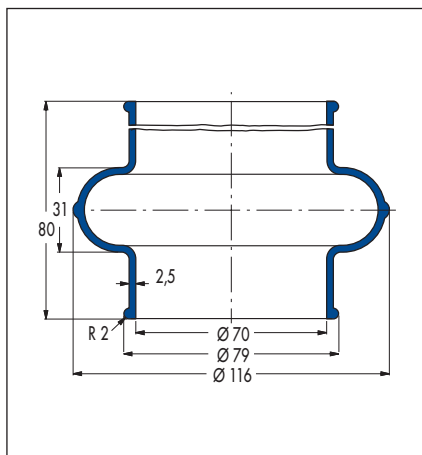
V6-00002, Article No. 31658



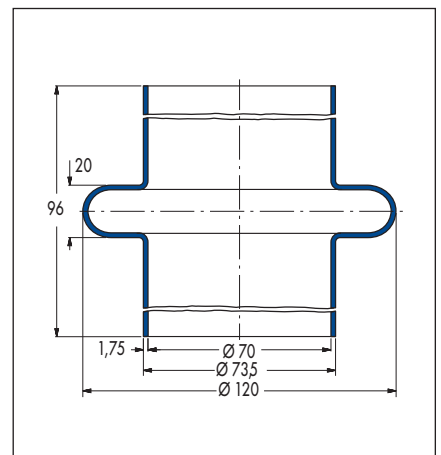
V6-00101, Article No. 434009 (CR)/  
434013 (NBR)



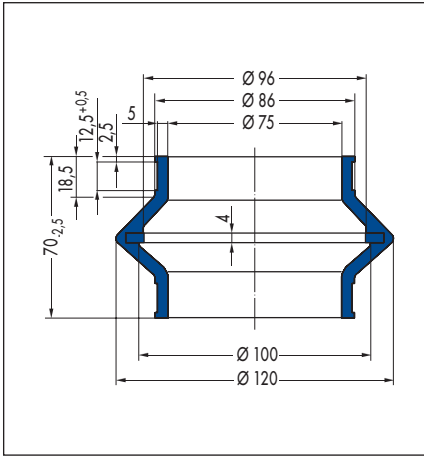
V6-00089, Article No. 432921 (CR)/  
432923 (NBR)



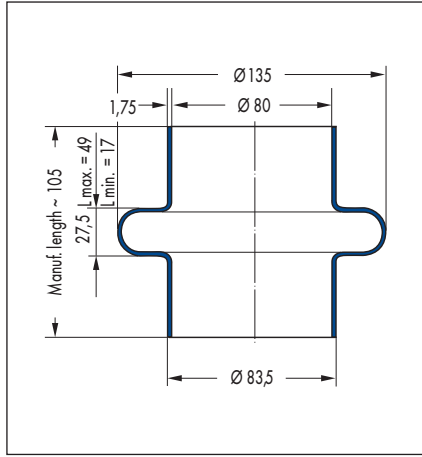
V6-00246, Article No. 440301



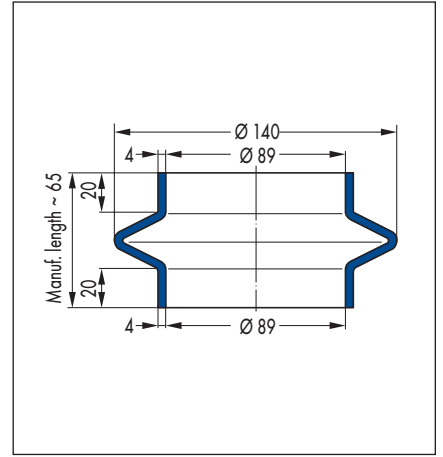
V6-00102, Article No. 29269



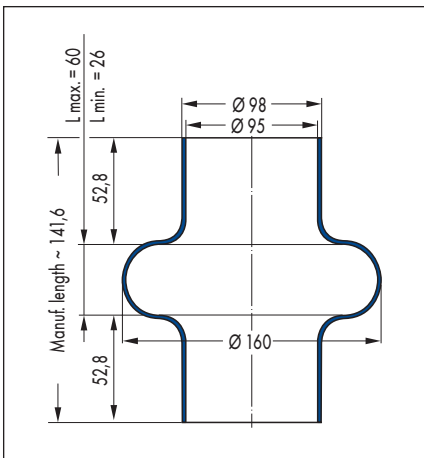
V6-1747, Article No. 49057348



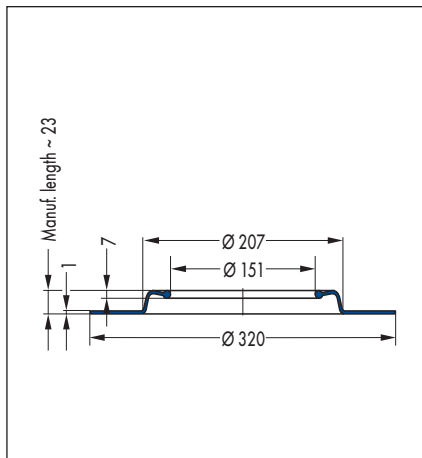
V6-00103, Article No. 454461



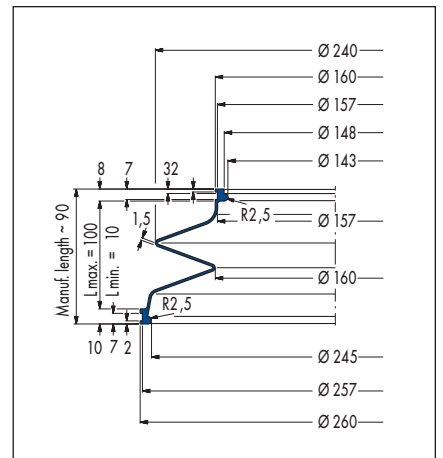
V6-00602, Article No. 452723



V6-00279, Article No. 400681



V6-00021, Article No. 37894



V6-00978, Article No. 26945