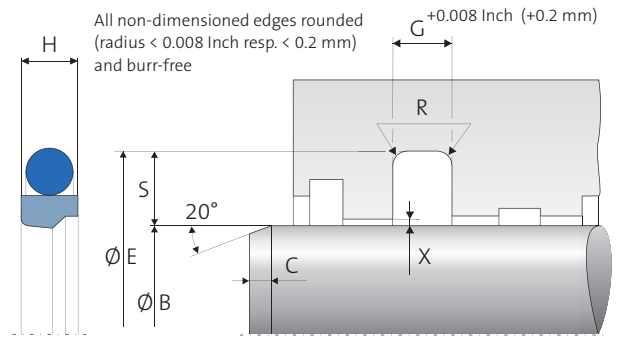


GROOVE SIZES—OMS-MR STANDARD RANGE—METRIC (MM)



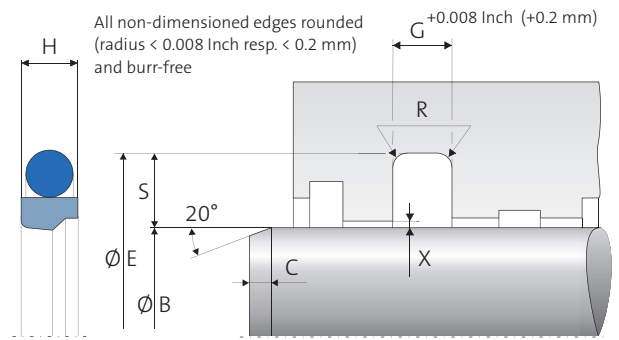
Dash No.*	ØB Rod Diameter ID	Tolerance ØB	ØE Groove Diameter OD	Tolerance ØE	S Nominal Radial Gland Height (OD-ID)/2	H Axial Seal Width	G Groove Width	R Radius max.	X Permissible Gap Dimension max.	C Axial Chamfer Length
008	4.70	-0.03	9.60	0.03	2.45	2.0	2.2	0.3	0.10	2.0
009	5.51	-0.03	10.41	0.03	2.45	2.0	2.2	0.3	0.10	2.0
010	6.30	-0.03	11.20	0.03	2.45	2.0	2.2	0.3	0.10	2.0
011	7.87	-0.03	12.78	0.03	2.45	2.0	2.2	0.3	0.10	2.0
012	9.47	-0.03	14.38	0.03	2.45	2.0	2.2	0.3	0.10	2.0
013	11.05	-0.05	15.95	0.05	2.45	2.0	2.2	0.3	0.13	2.0
014	12.65	-0.05	17.55	0.05	2.45	2.0	2.2	0.3	0.13	2.0
015	14.22	-0.05	19.13	0.05	2.45	2.0	2.2	0.3	0.13	2.0
016	15.82	-0.05	20.73	0.05	2.45	2.0	2.2	0.3	0.13	2.0
017	17.40	-0.05	22.30	0.05	2.45	2.0	2.2	0.3	0.13	2.0
018	19.00	-0.05	23.90	0.05	2.45	2.0	2.2	0.3	0.13	2.0
019	20.57	-0.05	25.48	0.05	2.45	2.0	2.2	0.3	0.13	2.0
020	22.17	-0.05	27.08	0.05	2.45	2.0	2.2	0.3	0.13	2.0
021	23.75	-0.05	28.65	0.05	2.45	2.0	2.2	0.3	0.13	2.0
022	25.35	-0.05	30.25	0.05	2.45	2.0	2.2	0.3	0.13	2.0
023	26.92	-0.05	31.83	0.05	2.45	2.0	2.2	0.3	0.13	2.0
024	28.52	-0.05	33.43	0.05	2.45	2.0	2.2	0.3	0.13	2.0
025	30.10	-0.05	35.00	0.05	2.45	2.0	2.2	0.3	0.13	2.0
026	31.70	-0.05	36.60	0.05	2.45	2.0	2.2	0.3	0.13	2.0
027	33.27	-0.05	38.18	0.05	2.45	2.0	2.2	0.3	0.13	2.0
028	34.87	-0.05	39.78	0.05	2.45	2.0	2.2	0.3	0.13	2.0
108	6.30	-0.03	13.59	0.03	3.65	3.0	3.2	0.5	0.10	3.0
109	7.87	-0.03	15.16	0.03	3.65	3.0	3.2	0.5	0.10	3.0
110	9.47	-0.05	16.76	0.05	3.65	3.0	3.2	0.5	0.13	3.0
111	11.05	-0.05	18.34	0.05	3.65	3.0	3.2	0.5	0.13	3.0
112	12.65	-0.05	19.94	0.05	3.65	3.0	3.2	0.5	0.13	3.0

*Freudenberg's rod seal set OMS-MR matches all AS4716 rod sizes with different gland sizes. Custom designs are available on request.

The information contained herein is believed to be reliable, but no representation, guarantees or warranties of any kind are made to its accuracy or suitability for any purpose. The information presented herein is based on laboratory testing and does not necessarily indicate end product performance. Full scale testing and end product performance are the responsibility of the user.

www.fst.com

GROOVE SIZES—OMS-MR STANDARD RANGE—METRIC (MM)



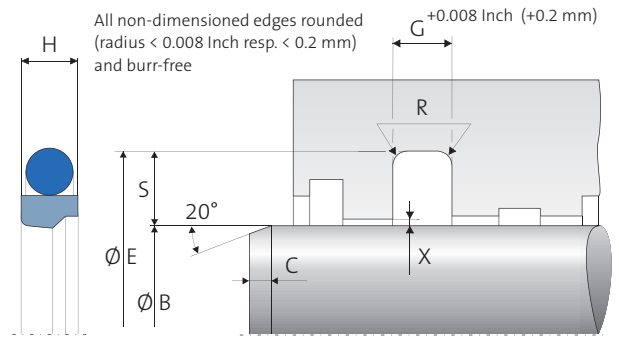
Dash No.*	ØB Rod Diameter ID	Tolerance ØB	ØE Groove Diameter OD	Tolerance ØE	S Nominal Radial Gland Height (OD-ID)/2	H Axial Seal Width	G Groove Width	R Radius max.	X Permissible Gap Dimension max.	C Axial Chamfer Length
113	14.22	-0.05	21.51	0.05	3.65	3.0	3.2	0.5	0.13	3.0
114	15.82	-0.05	23.11	0.05	3.65	3.0	3.2	0.5	0.13	3.0
115	17.40	-0.05	24.69	0.05	3.65	3.0	3.2	0.5	0.13	3.0
116	19.00	-0.05	26.29	0.05	3.65	3.0	3.2	0.5	0.13	3.0
117	20.57	-0.05	27.86	0.05	3.65	3.0	3.2	0.5	0.13	3.0
118	22.17	-0.05	29.46	0.05	3.65	3.0	3.2	0.5	0.13	3.0
119	23.75	-0.05	31.04	0.05	3.65	3.0	3.2	0.5	0.13	3.0
120	25.35	-0.05	32.64	0.05	3.65	3.0	3.2	0.5	0.13	3.0
121	26.92	-0.05	34.21	0.05	3.65	3.0	3.2	0.5	0.13	3.0
122	28.52	-0.05	35.81	0.05	3.65	3.0	3.2	0.5	0.13	3.0
123	30.10	-0.05	37.39	0.05	3.65	3.0	3.2	0.5	0.13	3.0
124	31.70	-0.05	38.99	0.05	3.65	3.0	3.2	0.5	0.13	3.0
125	33.27	-0.05	40.56	0.05	3.65	3.0	3.2	0.5	0.13	3.0
126	34.87	-0.05	42.16	0.05	3.65	3.0	3.2	0.5	0.13	3.0
127	36.45	-0.05	43.74	0.05	3.65	3.0	3.2	0.5	0.15	3.0
128	38.05	-0.05	45.34	0.05	3.65	3.0	3.2	0.5	0.15	3.0
129	39.62	-0.05	46.91	0.05	3.65	3.0	3.2	0.5	0.15	3.0
130	41.22	-0.05	48.51	0.05	3.65	3.0	3.2	0.5	0.15	3.0
131	42.80	-0.05	50.09	0.05	3.65	3.0	3.2	0.5	0.15	3.0
132	44.40	-0.05	51.69	0.05	3.65	3.0	3.2	0.5	0.15	3.0
133	45.97	-0.05	53.26	0.05	3.65	3.0	3.2	0.5	0.18	3.0
134	47.57	-0.05	54.86	0.05	3.65	3.0	3.2	0.5	0.18	3.0
135	49.17	-0.05	56.46	0.05	3.65	3.0	3.2	0.5	0.18	3.0
136	50.75	-0.05	58.04	0.05	3.65	3.0	3.2	0.5	0.18	3.0
137	52.35	-0.05	59.64	0.05	3.65	3.0	3.2	0.5	0.18	3.0
138	53.92	-0.05	61.21	0.05	3.65	3.0	3.2	0.5	0.18	3.0
139	55.52	-0.05	62.81	0.05	3.65	3.0	3.2	0.5	0.18	3.0
140	57.10	-0.05	64.39	0.05	3.65	3.0	3.2	0.5	0.18	3.0
141	58.70	-0.05	65.99	0.05	3.65	3.0	3.2	0.5	0.18	3.0

*Freudenberg's rod seal set OMS-MR matches all AS4716 rod sizes with different gland sizes. Custom designs are available on request.

The information contained herein is believed to be reliable, but no representation, guarantees or warranties of any kind are made to its accuracy or suitability for any purpose. The information presented herein is based on laboratory testing and does not necessarily indicate end product performance. Full scale testing and end product performance are the responsibility of the user.

www.fst.com

GROOVE SIZES—OMS-MR STANDARD RANGE—METRIC (MM)



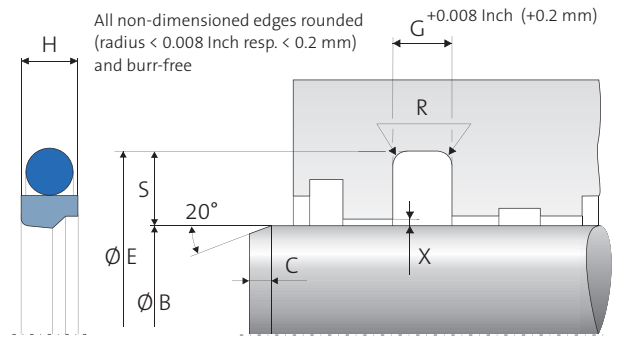
Dash No.*	ØB Rod Diameter ID	Tolerance ØB	ØE Groove Diameter OD	Tolerance ØE	S Nominal Radial Gland Height (OD-ID)/2	H Axial Seal Width	G Groove Width	R Radius max.	X Permissible Gap Dimension max.	C Axial Chamfer Length
142	60.27	-0.05	67.56	0.05	3.65	3.0	3.2	0.5	0.18	3.0
143	61.87	-0.05	69.16	0.05	3.65	3.0	3.2	0.5	0.18	3.0
144	63.45	-0.05	70.74	0.05	3.65	3.0	3.2	0.5	0.18	3.0
145	65.05	-0.05	72.34	0.05	3.65	3.0	3.2	0.5	0.18	3.0
146	66.62	-0.05	73.91	0.05	3.65	3.0	3.2	0.5	0.18	3.0
147	68.22	-0.05	75.51	0.05	3.65	3.0	3.2	0.5	0.18	3.0
148	69.80	-0.05	77.09	0.05	3.65	3.0	3.2	0.5	0.18	3.0
149	71.40	-0.05	78.69	0.05	3.65	3.0	3.2	0.5	0.18	3.0
210	19.00	-0.05	29.69	0.05	5.35	4.0	4.2	0.8	0.13	3.5
211	20.57	-0.05	31.27	0.05	5.35	4.0	4.2	0.8	0.13	3.5
212	22.17	-0.05	32.87	0.05	5.35	4.0	4.2	0.8	0.13	3.5
213	23.75	-0.05	34.44	0.05	5.35	4.0	4.2	0.8	0.13	3.5
214	25.35	-0.05	36.04	0.05	5.35	4.0	4.2	0.8	0.13	3.5
215	26.92	-0.05	37.62	0.05	5.35	4.0	4.2	0.8	0.13	3.5
216	28.52	-0.05	39.22	0.05	5.35	4.0	4.2	0.8	0.13	3.5
217	30.10	-0.05	40.79	0.05	5.35	4.0	4.2	0.8	0.13	3.5
218	31.70	-0.05	42.39	0.05	5.35	4.0	4.2	0.8	0.13	3.5
219	33.27	-0.05	43.97	0.05	5.35	4.0	4.2	0.8	0.13	3.5
220	34.87	-0.05	45.57	0.05	5.35	4.0	4.2	0.8	0.13	3.5
221	36.45	-0.05	47.14	0.05	5.35	4.0	4.2	0.8	0.13	3.5
222	38.05	-0.05	48.74	0.05	5.35	4.0	4.2	0.8	0.13	3.5
223	41.22	-0.05	51.92	0.05	5.35	4.0	4.2	0.8	0.15	3.5
224	44.40	-0.05	55.09	0.05	5.35	4.0	4.2	0.8	0.15	3.5
225	47.57	-0.05	58.27	0.05	5.35	4.0	4.2	0.8	0.18	3.5
226	50.75	-0.05	61.44	0.05	5.35	4.0	4.2	0.8	0.18	3.5
227	53.92	-0.05	64.62	0.05	5.35	4.0	4.2	0.8	0.18	3.5
228	57.10	-0.05	67.79	0.05	5.35	4.0	4.2	0.8	0.18	3.5
229	60.27	-0.05	70.97	0.05	5.35	4.0	4.2	0.8	0.18	3.5

*Freudenberg's rod seal set OMS-MR matches all AS4716 rod sizes with different gland sizes. Custom designs are available on request.

The information contained herein is believed to be reliable, but no representation, guarantees or warranties of any kind are made to its accuracy or suitability for any purpose. The information presented herein is based on laboratory testing and does not necessarily indicate end product performance. Full scale testing and end product performance are the responsibility of the user.

www.fst.com

GROOVE SIZES—OMS-MR STANDARD RANGE—METRIC (MM)



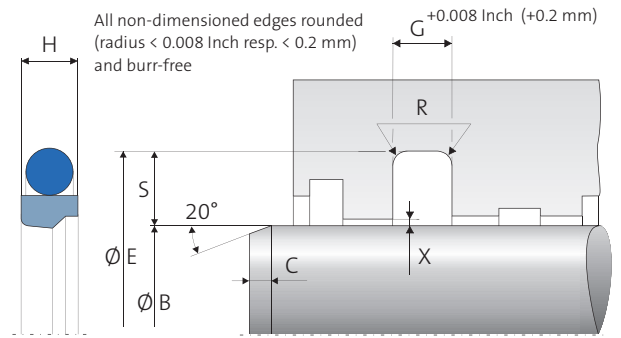
Dash No.*	ØB Rod Diameter ID	Tolerance ØB	ØE Groove Diameter OD	Tolerance ØE	S Nominal Radial Gland Height (OD-ID)/2	H Axial Seal Width	G Groove Width	R Radius max.	X Permissible Gap Dimension max.	C Axial Chamfer Length
230	63.45	-0.05	74.14	0.05	5.35	4.0	4.2	0.8	0.18	3.5
231	66.62	-0.05	77.32	0.05	5.35	4.0	4.2	0.8	0.18	3.5
232	69.80	-0.05	80.49	0.05	5.35	4.0	4.2	0.8	0.18	3.5
233	72.97	-0.05	83.67	0.05	5.35	4.0	4.2	0.8	0.18	3.5
234	76.12	-0.05	86.82	0.05	5.35	4.0	4.2	0.8	0.18	3.5
235	79.30	-0.05	89.99	0.05	5.35	4.0	4.2	0.8	0.18	3.5
236	82.47	-0.05	93.17	0.05	5.35	4.0	4.2	0.8	0.18	3.5
237	85.65	-0.05	96.34	0.05	5.35	4.0	4.2	0.8	0.18	3.5
238	88.82	-0.05	99.52	0.05	5.35	4.0	4.2	0.8	0.18	3.5
239	92.00	-0.05	102.69	0.05	5.35	4.0	4.2	0.8	0.18	3.5
240	95.17	-0.05	105.87	0.05	5.35	4.0	4.2	0.8	0.18	3.5
241	98.35	-0.05	109.04	0.05	5.35	4.0	4.2	0.8	0.18	3.5
242	101.52	-0.05	112.22	0.05	5.35	4.0	4.2	0.8	0.18	3.5
243	104.70	-0.05	115.39	0.05	5.35	4.0	4.2	0.8	0.18	3.5
244	107.87	-0.05	118.57	0.05	5.35	4.0	4.2	0.8	0.18	3.5
245	111.05	-0.05	121.74	0.05	5.35	4.0	4.2	0.8	0.18	3.5
246	114.22	-0.05	124.92	0.05	5.35	4.0	4.2	0.8	0.20	3.5
247	117.40	-0.05	128.09	0.05	5.35	4.0	4.2	0.8	0.20	3.5
325	38.05	-0.05	53.14	0.05	7.55	5.9	6.3	1.2	0.15	5.5
326	41.22	-0.05	56.31	0.05	7.55	5.9	6.3	1.2	0.15	5.5
327	44.40	-0.05	59.49	0.05	7.55	5.9	6.3	1.2	0.15	5.5
328	47.57	-0.05	62.66	0.05	7.55	5.9	6.3	1.2	0.18	5.5
329	50.75	-0.05	65.84	0.05	7.55	5.9	6.3	1.2	0.18	5.5
330	53.92	-0.05	69.01	0.05	7.55	5.9	6.3	1.2	0.18	5.5
331	57.10	-0.05	72.19	0.05	7.55	5.9	6.3	1.2	0.18	5.5
332	60.27	-0.05	75.36	0.05	7.55	5.9	6.3	1.2	0.18	5.5
333	63.45	-0.05	78.54	0.05	7.55	5.9	6.3	1.2	0.18	5.5
334	66.62	-0.05	81.71	0.05	7.54	5.9	6.3	1.2	0.18	5.5

*Freudenberg's rod seal set OMS-MR matches all AS4716 rod sizes with different gland sizes. Custom designs are available on request.

The information contained herein is believed to be reliable, but no representation, guarantees or warranties of any kind are made to its accuracy or suitability for any purpose. The information presented herein is based on laboratory testing and does not necessarily indicate end product performance. Full scale testing and end product performance are the responsibility of the user.

www.fst.com

GROOVE SIZES—OMS-MR STANDARD RANGE—METRIC (MM)



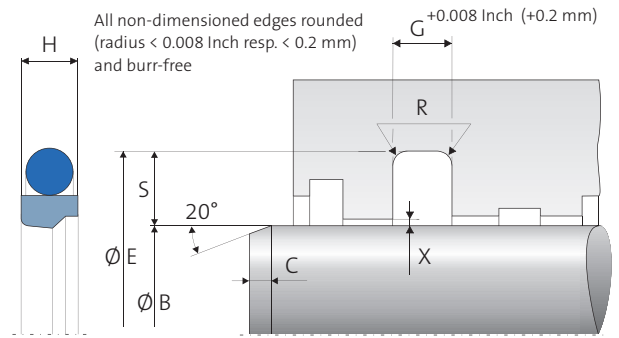
Dash No.*	ØB Rod Diameter ID	Tolerance ØB	ØE Groove Diameter OD	Tolerance ØE	S Nominal Radial Gland Height (OD-ID)/2	H Axial Seal Width	G Groove Width	R Radius max.	X Permissible Gap Dimension max.	C Axial Chamfer Length
335	69.80	-0.05	84.89	0.05	7.55	5.9	6.3	1.2	0.18	5.5
336	72.97	-0.05	88.06	0.05	7.55	5.9	6.3	1.2	0.18	5.5
337	76.12	-0.05	91.21	0.05	7.54	5.9	6.3	1.2	0.18	5.5
338	79.30	-0.05	94.39	0.05	7.55	5.9	6.3	1.2	0.18	5.5
339	82.47	-0.05	97.56	0.05	7.55	5.9	6.3	1.2	0.18	5.5
340	85.65	-0.05	100.74	0.05	7.54	5.9	6.3	1.2	0.18	5.5
341	88.82	-0.05	103.91	0.05	7.55	5.9	6.3	1.2	0.18	5.5
342	92.00	-0.05	107.09	0.05	7.55	5.9	6.3	1.2	0.18	5.5
343	95.17	-0.05	110.26	0.05	7.55	5.9	6.3	1.2	0.18	5.5
344	98.35	-0.05	113.44	0.05	7.55	5.9	6.3	1.2	0.18	5.5
345	101.52	-0.05	116.61	0.05	7.55	5.9	6.3	1.2	0.18	5.5
346	104.70	-0.05	119.79	0.05	7.55	5.9	6.3	1.2	0.18	5.5
347	107.87	-0.05	122.96	0.05	7.54	5.9	6.3	1.2	0.18	5.5
348	111.05	-0.05	126.14	0.05	7.55	5.9	6.3	1.2	0.18	5.5
349	114.22	-0.05	129.31	0.05	7.55	5.9	6.3	1.2	0.18	5.5
425	114.22	-0.08	134.72	0.08	10.25	7.6	8.1	2.0	0.23	8.0
426	117.40	-0.08	137.90	0.08	10.25	7.6	8.1	2.0	0.23	8.0
427	120.57	-0.08	141.07	0.08	10.25	7.6	8.1	2.0	0.23	8.0
428	123.75	-0.08	144.25	0.08	10.25	7.6	8.1	2.0	0.23	8.0
429	126.92	-0.08	147.42	0.08	10.25	7.6	8.1	2.0	0.23	8.0
430	130.10	-0.08	150.60	0.08	10.25	7.6	8.1	2.0	0.23	8.0
431	133.27	-0.08	153.77	0.08	10.25	7.6	8.1	2.0	0.23	8.0
432	136.45	-0.08	156.95	0.08	10.25	7.6	8.1	2.0	0.23	8.0
433	139.62	-0.08	160.12	0.08	10.25	7.6	8.1	2.0	0.23	8.0
434	142.80	-0.08	163.30	0.08	10.25	7.6	8.1	2.0	0.23	8.0
435	145.97	-0.08	166.47	0.08	10.25	7.6	8.1	2.0	0.23	8.0
436	149.15	-0.08	169.65	0.08	10.25	7.6	8.1	2.0	0.23	8.0
437	152.32	-0.08	172.82	0.08	10.25	7.6	8.1	2.0	0.23	8.0

*Freudenberg's rod seal set OMS-MR matches all AS4716 rod sizes with different gland sizes. Custom designs are available on request.

The information contained herein is believed to be reliable, but no representation, guarantees or warranties of any kind are made to its accuracy or suitability for any purpose. The information presented herein is based on laboratory testing and does not necessarily indicate end product performance. Full scale testing and end product performance are the responsibility of the user.

www.fst.com

GROOVE SIZES—OMS-MR STANDARD RANGE—METRIC (MM)



Dash No.*	ØB Rod Diameter ID	Tolerance ØB	ØE Groove Diameter OD	Tolerance ØE	S Nominal Radial Gland Height (OD-ID)/2	H Axial Seal Width	G Groove Width	R Radius max.	X Permissible Gap Dimension max.	C Axial Chamfer Length
438	158.67	-0.08	179.17	0.08	10.25	7.6	8.1	2.0	0.23	8.0
439	165.02	-0.08	185.52	0.08	10.25	7.6	8.1	2.0	0.25	8.0
440	171.37	-0.08	191.87	0.08	10.25	7.6	8.1	2.0	0.25	8.0
441	177.72	-0.08	198.22	0.08	10.25	7.6	8.1	2.0	0.25	8.0
442	184.07	-0.08	204.57	0.08	10.25	7.6	8.1	2.0	0.25	8.0
443	190.42	-0.08	210.92	0.08	10.25	7.6	8.1	2.0	0.25	8.0
444	196.77	-0.08	217.27	0.08	10.25	7.6	8.1	2.0	0.25	8.0
445	203.12	-0.08	223.62	0.08	10.25	7.6	8.1	2.0	0.25	8.0
446	215.82	-0.08	236.32	0.08	10.25	7.6	8.1	2.0	0.25	8.0
447	228.52	-0.10	249.02	0.10	10.25	7.6	8.1	2.0	0.25	8.0
448	241.22	-0.10	261.72	0.10	10.25	7.6	8.1	2.0	0.25	8.0
449	253.92	-0.10	274.42	0.10	10.25	7.6	8.1	2.0	0.25	8.0
450	266.62	-0.10	287.12	0.10	10.25	7.6	8.1	2.0	0.25	8.0
451	279.32	-0.10	299.82	0.10	10.25	7.6	8.1	2.0	0.25	8.0
452	292.02	-0.10	312.52	0.10	10.25	7.6	8.1	2.0	0.25	8.0
453	304.72	-0.10	325.22	0.10	10.25	7.6	8.1	2.0	0.25	8.0
454	317.42	-0.10	337.92	0.10	10.25	7.6	8.1	2.0	0.25	8.0
455	330.12	-0.10	350.62	0.10	10.25	7.6	8.1	2.0	0.25	8.0
456	342.82	-0.10	363.32	0.10	10.25	7.6	8.1	2.0	0.25	8.0
457	355.52	-0.10	376.02	0.10	10.25	7.6	8.1	2.0	0.25	8.0
458	368.22	-0.10	388.72	0.10	10.25	7.6	8.1	2.0	0.25	8.0
459	380.92	-0.10	401.42	0.10	10.25	7.6	8.1	2.0	0.25	8.0
460	393.62	-0.10	414.12	0.10	10.25	7.6	8.1	2.0	0.25	8.0

*Freudenberg's rod seal set OMS-MR matches all AS4716 rod sizes with different gland sizes. Custom designs are available on request.

The information contained herein is believed to be reliable, but no representation, guarantees or warranties of any kind are made to its accuracy or suitability for any purpose. The information presented herein is based on laboratory testing and does not necessarily indicate end product performance. Full scale testing and end product performance are the responsibility of the user.

www.fst.com