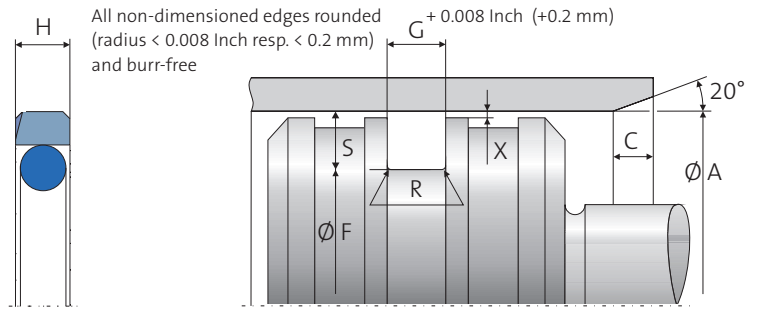


GROOVE SIZES—OMK-MR STANDARD RANGE—INCH (IN)



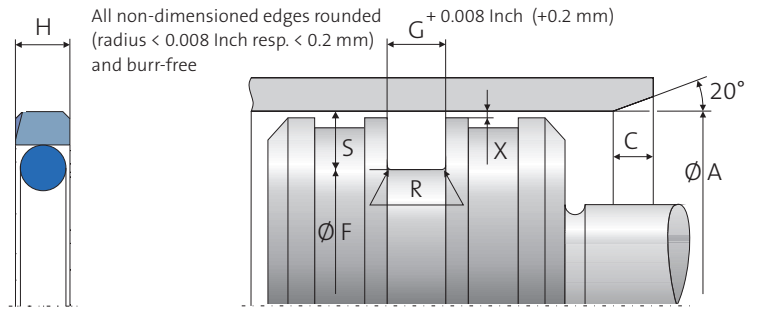
Dash No.*	ØA Bore Diameter OD ID	Tolerance ØA	ØF Groove Diameter ID OD	Tolerance ØF	S Groove Height (OD-ID)/2	H Axial Seal Width	G Groove Width	R Groove Radius max.	X Permissible Gap Dimension max.	C Axial Chamfer Length
011	0.422	0.001	0.248	-0.001	0.087	0.075	0.081	0.012	0.004	0.118
012	0.485	0.001	0.311	-0.001	0.087	0.075	0.081	0.012	0.004	0.118
013	0.550	0.002	0.376	-0.002	0.087	0.075	0.081	0.012	0.005	0.118
014	0.613	0.002	0.439	-0.002	0.087	0.075	0.081	0.012	0.005	0.118
015	0.675	0.002	0.501	-0.002	0.087	0.075	0.081	0.012	0.005	0.118
016	0.738	0.002	0.564	-0.002	0.087	0.075	0.081	0.012	0.005	0.118
017	0.800	0.002	0.626	-0.002	0.087	0.075	0.081	0.012	0.005	0.118
018	0.863	0.002	0.689	-0.002	0.087	0.075	0.081	0.012	0.005	0.118
019	0.925	0.002	0.751	-0.002	0.087	0.075	0.081	0.012	0.005	0.118
020	0.991	0.002	0.817	-0.002	0.087	0.075	0.081	0.012	0.005	0.118
021	1.053	0.002	0.879	-0.002	0.087	0.075	0.081	0.012	0.005	0.118
022	1.116	0.002	0.942	-0.002	0.087	0.075	0.081	0.012	0.005	0.118
023	1.178	0.002	1.004	-0.002	0.087	0.075	0.081	0.012	0.005	0.118
024	1.241	0.002	1.067	-0.002	0.087	0.075	0.081	0.012	0.005	0.118
025	1.303	0.002	1.129	-0.002	0.087	0.075	0.081	0.012	0.005	0.118
026	1.366	0.002	1.192	-0.002	0.087	0.075	0.081	0.012	0.005	0.118
027	1.428	0.002	1.254	-0.002	0.087	0.075	0.081	0.012	0.005	0.118
028	1.491	0.002	1.317	-0.002	0.087	0.075	0.081	0.012	0.005	0.118
110	0.550	0.002	0.376	-0.002	0.125	0.118	0.126	0.020	0.005	0.157
111	0.613	0.002	0.439	-0.002	0.125	0.118	0.126	0.020	0.005	0.157
112	0.675	0.002	0.501	-0.002	0.125	0.118	0.126	0.020	0.005	0.157
113	0.738	0.002	0.564	-0.002	0.125	0.118	0.126	0.020	0.005	0.157
114	0.800	0.002	0.626	-0.002	0.125	0.118	0.126	0.020	0.005	0.157
115	0.863	0.002	0.689	-0.002	0.125	0.118	0.126	0.020	0.005	0.157
116	0.925	0.002	0.751	-0.002	0.125	0.118	0.126	0.020	0.005	0.157
117	0.991	0.002	0.817	-0.002	0.125	0.118	0.126	0.020	0.005	0.157
118	1.053	0.002	0.879	-0.002	0.125	0.118	0.126	0.020	0.005	0.157

*Freudenberg's rod seal set OMK-MR matches all AS4716 rod sizes with different gland sizes. Custom designs are available on request.

The information contained herein is believed to be reliable, but no representation, guarantees or warranties of any kind are made to its accuracy or suitability for any purpose. The information presented herein is based on laboratory testing and does not necessarily indicate end product performance. Full scale testing and end product performance are the responsibility of the user.

www.fst.com

GROOVE SIZES—OMK-MR STANDARD RANGE—INCH (IN)



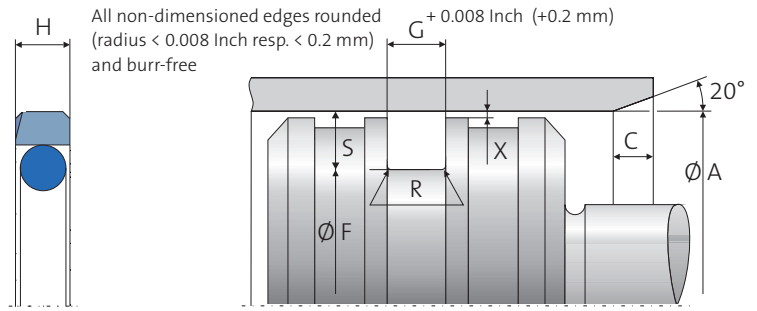
Dash No.*	ØA Bore Diameter OD ID	Tolerance ØA	ØF Groove Diameter ID OD	Tolerance ØF	S Groove Height (OD-ID)/2	H Axial Seal Width	G Groove Width	R Groove Radius max.	X Permissible Gap Dimension max.	C Axial Chamfer Length
119	1.116	0.002	0.942	-0.002	0.125	0.118	0.126	0.020	0.005	0.157
120	1.178	0.002	1.004	-0.002	0.125	0.118	0.126	0.020	0.005	0.157
121	1.241	0.002	1.067	-0.002	0.125	0.118	0.126	0.020	0.005	0.157
122	1.303	0.002	1.129	-0.002	0.125	0.118	0.126	0.020	0.005	0.157
123	1.366	0.002	1.192	-0.002	0.125	0.118	0.126	0.020	0.005	0.157
124	1.428	0.002	1.178	-0.002	0.125	0.118	0.126	0.020	0.005	0.157
125	1.491	0.002	1.241	-0.002	0.125	0.118	0.126	0.020	0.005	0.157
126	1.553	0.002	1.303	-0.002	0.125	0.118	0.126	0.020	0.005	0.157
127	1.616	0.002	1.366	-0.002	0.125	0.118	0.126	0.020	0.005	0.157
128	1.678	0.002	1.428	-0.002	0.125	0.118	0.126	0.020	0.005	0.157
129	1.741	0.002	1.491	-0.002	0.125	0.118	0.126	0.020	0.005	0.157
130	1.805	0.002	1.555	-0.002	0.125	0.118	0.126	0.020	0.006	0.157
131	1.867	0.002	1.617	-0.002	0.125	0.118	0.126	0.020	0.006	0.157
132	1.930	0.002	1.680	-0.002	0.125	0.118	0.126	0.020	0.006	0.157
133	1.992	0.002	1.742	-0.002	0.125	0.118	0.126	0.020	0.006	0.157
134	2.055	0.002	1.805	-0.002	0.125	0.118	0.126	0.020	0.006	0.157
135	2.118	0.002	1.868	-0.002	0.125	0.118	0.126	0.020	0.006	0.157
136	2.180	0.002	1.930	-0.002	0.125	0.118	0.126	0.020	0.006	0.157
137	2.243	0.002	1.993	-0.002	0.125	0.118	0.126	0.020	0.006	0.157
138	2.305	0.002	2.055	-0.002	0.125	0.118	0.126	0.020	0.006	0.157
139	2.368	0.002	2.118	-0.002	0.125	0.118	0.126	0.020	0.006	0.157
140	2.430	0.002	2.180	-0.002	0.125	0.118	0.126	0.020	0.006	0.157
141	2.493	0.002	2.243	-0.002	0.125	0.118	0.126	0.020	0.007	0.157
142	2.555	0.002	2.305	-0.002	0.125	0.118	0.126	0.020	0.007	0.157
143	2.618	0.002	2.368	-0.002	0.125	0.118	0.126	0.020	0.007	0.157
144	2.680	0.002	2.430	-0.002	0.125	0.118	0.126	0.020	0.007	0.157
145	2.743	0.002	2.493	-0.002	0.125	0.118	0.126	0.020	0.007	0.157
146	2.805	0.002	2.555	-0.002	0.125	0.118	0.126	0.020	0.007	0.157
147	2.868	0.002	2.618	-0.002	0.125	0.118	0.126	0.020	0.007	0.157

*Freudenberg's rod seal set OMK-MR matches all AS4716 rod sizes with different gland sizes. Custom designs are available on request.

The information contained herein is believed to be reliable, but no representation, guarantees or warranties of any kind are made to its accuracy or suitability for any purpose. The information presented herein is based on laboratory testing and does not necessarily indicate end product performance. Full scale testing and end product performance are the responsibility of the user.

www.fst.com

GROOVE SIZES—OMK-MR STANDARD RANGE—INCH (IN)



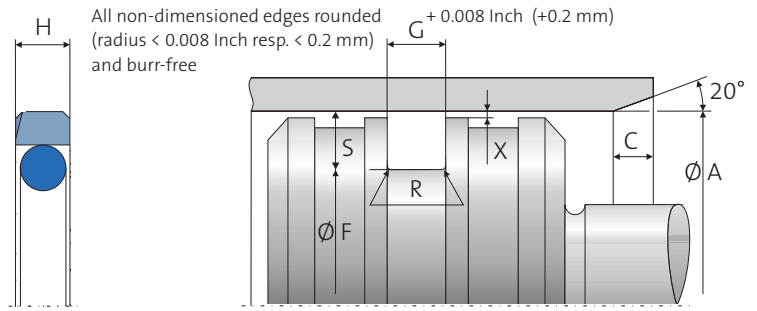
Dash No.*	ØA Bore Diameter OD ID	Tolerance ØA	ØF Groove Diameter ID OD	Tolerance ØF	S Groove Height (OD-ID)/2	H Axial Seal Width	G Groove Width	R Groove Radius max.	X Permissible Gap Dimension max.	C Axial Chamfer Length
148	2.930	0.002	2.680	-0.002	0.125	0.118	0.126	0.020	0.007	0.157
149	2.993	0.002	2.743	-0.002	0.125	0.118	0.126	0.020	0.007	0.157
210	0.991	0.002	0.617	-0.002	0.187	0.157	0.166	0.031	0.005	0.217
211	1.053	0.002	0.679	-0.002	0.187	0.157	0.166	0.031	0.005	0.217
212	1.116	0.002	0.742	-0.002	0.187	0.157	0.166	0.031	0.005	0.217
213	1.178	0.002	0.804	-0.002	0.187	0.157	0.166	0.031	0.005	0.217
214	1.241	0.002	0.867	-0.002	0.187	0.157	0.166	0.031	0.005	0.217
215	1.303	0.002	0.929	-0.002	0.187	0.157	0.166	0.031	0.005	0.217
216	1.366	0.002	0.992	-0.002	0.187	0.157	0.166	0.031	0.005	0.217
217	1.428	0.002	1.054	-0.002	0.187	0.157	0.166	0.031	0.005	0.217
218	1.491	0.002	1.117	-0.002	0.187	0.157	0.166	0.031	0.005	0.217
219	1.553	0.002	1.179	-0.002	0.187	0.157	0.166	0.031	0.005	0.217
220	1.616	0.002	1.242	-0.002	0.187	0.157	0.166	0.031	0.005	0.217
221	1.678	0.002	1.304	-0.002	0.187	0.157	0.166	0.031	0.005	0.217
222	1.741	0.002	1.367	-0.002	0.187	0.157	0.166	0.031	0.005	0.217
223	1.867	0.002	1.493	-0.002	0.187	0.157	0.166	0.031	0.006	0.217
224	1.992	0.002	1.618	-0.002	0.187	0.157	0.166	0.031	0.006	0.217
225	2.118	0.002	1.744	-0.002	0.187	0.157	0.166	0.031	0.006	0.217
226	2.243	0.002	1.869	-0.002	0.187	0.157	0.166	0.031	0.006	0.217
227	2.368	0.002	1.994	-0.002	0.187	0.157	0.166	0.031	0.006	0.217
228	2.493	0.002	2.119	-0.002	0.187	0.157	0.166	0.031	0.007	0.217
229	2.618	0.002	2.244	-0.002	0.187	0.157	0.166	0.031	0.007	0.217
230	2.743	0.002	2.369	-0.002	0.187	0.157	0.166	0.031	0.007	0.217
231	2.868	0.002	2.494	-0.002	0.187	0.157	0.166	0.031	0.007	0.217
232	2.993	0.002	2.619	-0.002	0.187	0.157	0.166	0.031	0.007	0.217
233	3.118	0.002	2.744	-0.002	0.187	0.157	0.166	0.031	0.007	0.217
234	3.243	0.002	2.869	-0.002	0.187	0.157	0.166	0.031	0.007	0.217
235	3.368	0.002	2.994	-0.002	0.187	0.157	0.166	0.031	0.007	0.217

*Freudenberg's rod seal set OMK-MR matches all AS4716 rod sizes with different gland sizes. Custom designs are available on request.

The information contained herein is believed to be reliable, but no representation, guarantees or warranties of any kind are made to its accuracy or suitability for any purpose. The information presented herein is based on laboratory testing and does not necessarily indicate end product performance. Full scale testing and end product performance are the responsibility of the user.

www.fst.com

GROOVE SIZES—OMK-MR STANDARD RANGE—INCH (IN)



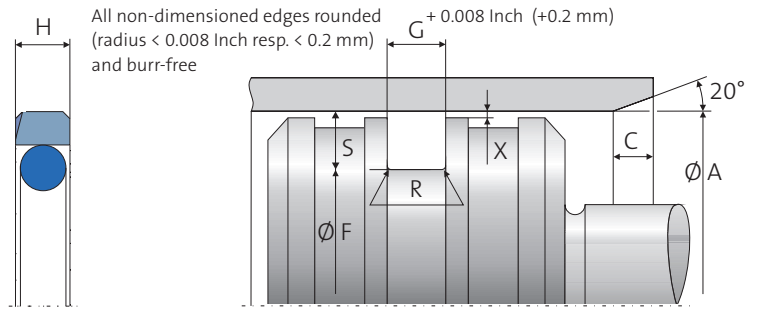
Dash No.*	ØA Bore Diameter OD ID	Tolerance ØA	ØF Groove Diameter ID OD	Tolerance ØF	S Groove Height (OD-ID)/2	H Axial Seal Width	G Groove Width	R Groove Radius max.	X Permissible Gap Dimension max.	C Axial Chamfer Length
236	3.493	0.002	3.119	-0.002	0.187	0.157	0.166	0.031	0.007	0.217
237	3.618	0.002	3.244	-0.002	0.187	0.157	0.166	0.031	0.007	0.217
238	3.743	0.002	3.369	-0.002	0.187	0.157	0.166	0.031	0.007	0.217
239	3.868	0.002	3.494	-0.002	0.187	0.157	0.166	0.031	0.007	0.217
240	3.993	0.002	3.619	-0.002	0.187	0.157	0.166	0.031	0.007	0.217
241	4.118	0.002	3.744	-0.002	0.187	0.157	0.166	0.031	0.007	0.217
242	4.243	0.002	3.869	-0.002	0.187	0.157	0.166	0.031	0.007	0.217
243	4.368	0.002	3.994	-0.002	0.187	0.157	0.166	0.031	0.007	0.217
244	4.493	0.002	4.119	-0.002	0.187	0.157	0.166	0.031	0.008	0.217
245	4.618	0.002	4.244	-0.002	0.187	0.157	0.166	0.031	0.008	0.217
246	4.743	0.002	4.369	-0.002	0.187	0.157	0.166	0.031	0.008	0.217
247	4.868	0.002	4.494	-0.002	0.187	0.157	0.166	0.031	0.008	0.217
325	1.867	0.002	1.313	-0.002	0.277	0.232	0.247	0.047	0.006	0.315
326	1.992	0.002	1.438	-0.002	0.277	0.232	0.247	0.047	0.006	0.315
327	2.118	0.002	1.564	-0.002	0.277	0.232	0.247	0.047	0.006	0.315
328	2.243	0.002	1.689	-0.002	0.277	0.232	0.247	0.047	0.006	0.315
329	2.368	0.002	1.814	-0.002	0.277	0.232	0.247	0.047	0.006	0.315
330	2.493	0.002	1.939	-0.002	0.277	0.232	0.247	0.047	0.007	0.315
331	2.618	0.002	2.064	-0.002	0.277	0.232	0.247	0.047	0.007	0.315
332	2.743	0.002	2.189	-0.002	0.277	0.232	0.247	0.047	0.007	0.315
333	2.868	0.002	2.314	-0.002	0.277	0.232	0.247	0.047	0.007	0.315
334	2.993	0.002	2.439	-0.002	0.277	0.232	0.247	0.047	0.007	0.315
335	3.118	0.002	2.564	-0.002	0.277	0.232	0.247	0.047	0.007	0.315
336	3.243	0.002	2.689	-0.002	0.277	0.232	0.247	0.047	0.007	0.315
337	3.368	0.002	2.814	-0.002	0.277	0.232	0.247	0.047	0.007	0.315
338	3.493	0.002	2.939	-0.002	0.277	0.232	0.247	0.047	0.007	0.315
339	3.618	0.002	3.064	-0.002	0.277	0.232	0.247	0.047	0.007	0.315
340	3.743	0.002	3.189	-0.002	0.277	0.232	0.247	0.047	0.007	0.315

*Freudenberg's rod seal set OMK-MR matches all AS4716 rod sizes with different gland sizes. Custom designs are available on request.

The information contained herein is believed to be reliable, but no representation, guarantees or warranties of any kind are made to its accuracy or suitability for any purpose. The information presented herein is based on laboratory testing and does not necessarily indicate end product performance. Full scale testing and end product performance are the responsibility of the user.

www.fst.com

GROOVE SIZES—OMK-MR STANDARD RANGE—INCH (IN)



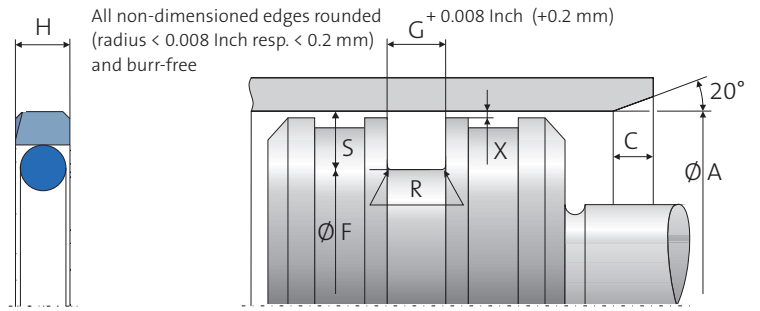
Dash No.*	ØA Bore Diameter OD ID	Tolerance ØA	ØF Groove Diameter ID OD	Tolerance ØF	S Groove Height (OD-ID)/2	H Axial Seal Width	G Groove Width	R Groove Radius max.	X Permissible Gap Dimension max.	C Axial Chamfer Length
341	3.868	0.002	3.314	-0.002	0.277	0.232	0.247	0.047	0.007	0.315
342	3.993	0.002	3.439	-0.002	0.277	0.232	0.247	0.047	0.007	0.315
343	4.118	0.002	3.564	-0.002	0.277	0.232	0.247	0.047	0.007	0.315
344	4.243	0.002	3.689	-0.002	0.277	0.232	0.247	0.047	0.007	0.315
345	4.368	0.002	3.814	-0.002	0.277	0.232	0.247	0.047	0.007	0.315
346	4.493	0.002	3.939	-0.002	0.277	0.232	0.247	0.047	0.008	0.315
347	4.618	0.002	4.064	-0.002	0.277	0.232	0.247	0.047	0.008	0.315
348	4.743	0.002	4.189	-0.002	0.277	0.232	0.247	0.047	0.008	0.315
349	4.868	0.002	4.314	-0.002	0.277	0.232	0.247	0.047	0.008	0.315
428	5.349	0.003	4.599	-0.003	0.375	0.299	0.320	0.079	0.009	0.413
429	5.474	0.003	4.724	-0.003	0.375	0.299	0.320	0.079	0.009	0.413
430	5.599	0.003	4.849	-0.003	0.375	0.299	0.320	0.079	0.009	0.413
431	5.724	0.003	4.974	-0.003	0.375	0.299	0.320	0.079	0.009	0.413
432	5.849	0.003	5.099	-0.003	0.375	0.299	0.320	0.079	0.009	0.413
434	5.974	0.003	5.224	-0.003	0.375	0.299	0.320	0.079	0.009	0.413
435	6.099	0.003	5.349	-0.003	0.375	0.299	0.320	0.079	0.009	0.413
436	6.349	0.003	5.599	-0.003	0.375	0.299	0.320	0.079	0.009	0.413
437	6.474	0.003	5.724	-0.003	0.375	0.299	0.320	0.079	0.009	0.413
438	6.724	0.003	5.974	-0.003	0.375	0.299	0.320	0.079	0.009	0.413
439	6.974	0.003	6.224	-0.003	0.375	0.299	0.320	0.079	0.009	0.413
440	7.224	0.003	6.474	-0.003	0.375	0.299	0.320	0.079	0.009	0.413
441	7.474	0.003	6.724	-0.003	0.375	0.299	0.320	0.079	0.009	0.413
442	7.724	0.003	6.974	-0.003	0.375	0.299	0.320	0.079	0.009	0.413
443	7.974	0.003	7.224	-0.003	0.375	0.299	0.320	0.079	0.009	0.413
444	8.224	0.003	7.474	-0.003	0.375	0.299	0.320	0.079	0.009	0.413
445	8.474	0.003	7.724	-0.003	0.375	0.299	0.320	0.079	0.009	0.413
446	8.974	0.003	8.224	-0.003	0.375	0.299	0.320	0.079	0.010	0.413

*Freudenberg's rod seal set OMK-MR matches all AS4716 rod sizes with different gland sizes. Custom designs are available on request.

The information contained herein is believed to be reliable, but no representation, guarantees or warranties of any kind are made to its accuracy or suitability for any purpose. The information presented herein is based on laboratory testing and does not necessarily indicate end product performance. Full scale testing and end product performance are the responsibility of the user.

www.fst.com

GROOVE SIZES—OMK-MR STANDARD RANGE—INCH (IN)



Dash No.*	ØA Bore Diameter OD ID	Tolerance ØA	ØF Groove Diameter ID OD	Tolerance ØF	S Groove Height (OD-ID)/2	H Axial Seal Width	G Groove Width	R Groove Radius max.	X Permissible Gap Dimension max.	C Axial Chamfer Length
447	9.474	0.004	8.724	-0.004	0.375	0.299	0.320	0.079	0.011	0.413
448	9.974	0.004	9.224	-0.004	0.375	0.299	0.320	0.079	0.011	0.413
449	10.474	0.004	9.724	-0.004	0.375	0.299	0.320	0.079	0.011	0.413
450	10.974	0.004	10.224	-0.004	0.375	0.299	0.320	0.079	0.011	0.413
451	11.474	0.004	10.724	-0.004	0.375	0.299	0.320	0.079	0.011	0.413
452	11.974	0.004	11.224	-0.004	0.375	0.299	0.320	0.079	0.011	0.413
453	12.474	0.004	11.724	-0.004	0.375	0.299	0.320	0.079	0.011	0.413
454	12.974	0.004	12.224	-0.004	0.375	0.299	0.320	0.079	0.011	0.413
455	13.474	0.004	12.724	-0.004	0.375	0.299	0.320	0.079	0.011	0.413
456	13.974	0.004	13.224	-0.004	0.375	0.299	0.320	0.079	0.011	0.413
457	14.474	0.004	13.724	-0.004	0.375	0.299	0.320	0.079	0.011	0.413
458	14.974	0.004	14.224	-0.004	0.375	0.299	0.320	0.079	0.011	0.413
459	15.474	0.004	14.724	-0.004	0.375	0.299	0.320	0.079	0.011	0.413
460	15.974	0.004	15.224	-0.004	0.375	0.299	0.320	0.079	0.011	0.413

*Freudenberg's rod seal set OMK-MR matches all AS4716 rod sizes with different gland sizes. Custom designs are available on request.

The information contained herein is believed to be reliable, but no representation, guarantees or warranties of any kind are made to its accuracy or suitability for any purpose. The information presented herein is based on laboratory testing and does not necessarily indicate end product performance. Full scale testing and end product performance are the responsibility of the user.

www.fst.com