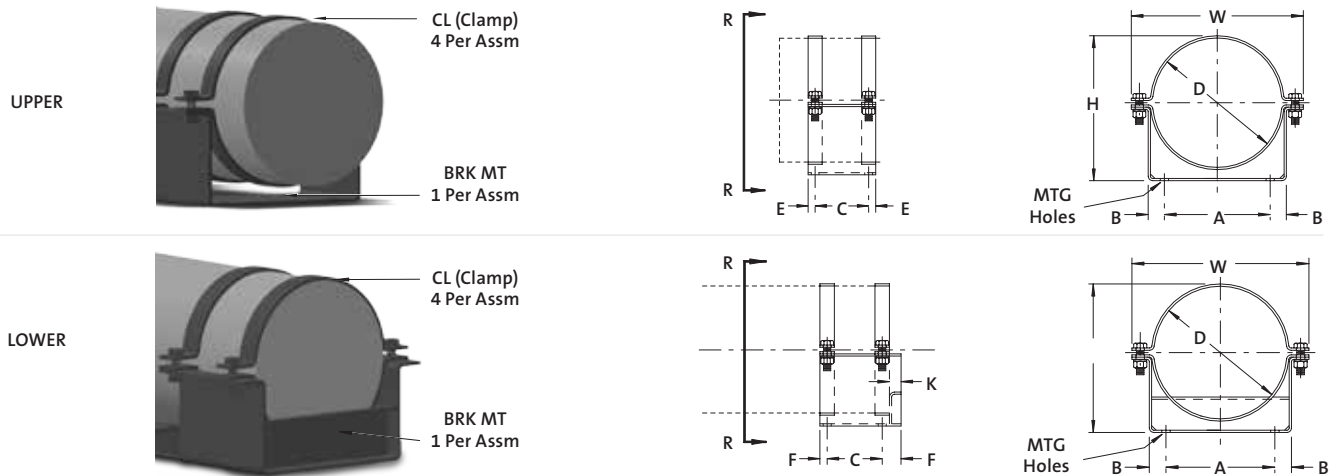


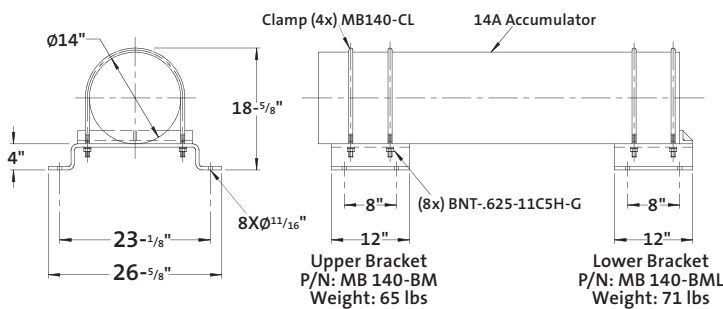
# MOUNTING BRACKETS/SETS FOR PISTON TYPE

| Part Number     | Description   | Dimensions |     |      |     |      |     |     |     |     |     |     |     |     |     |                |     |
|-----------------|---|------------|-----|------|-----|------|-----|-----|-----|-----|-----|-----|-----|-----|-----|----------------|-----|
|                 |   | D          |     | W    |     | H    |     | A   |     | B   |     | C   |     | E   |     | Mounting Holes |     |
|                 |   | In.        | mm. | In.  | mm. | In.  | mm. | In. | mm. | In. | mm. | In. | mm. | In. | mm. | In.            | mm. |
| <b>MB022-UB</b> | 022AL Series, Upper Bracket                                     | 2.3        | 57  | 4    | 102 | 3    | 77  | 1.5 | 38  | .5  | 13  | 3   | 76  | .4  | 10  | .4             | 10  |
| <b>MB022-PR</b> | 022AL Series, Set of two upper Brackets                         |            |     |      |     |      |     |     |     |     |     |     |     |     |     |                |     |
| <b>MB030-UB</b> | 030AT30/032AT50 Series, Upper Brackets                          | 3          | 76  | 4.8  | 121 | 3.8  | 96  | 2   | 51  | .6  | 16  | 3.3 | 83  | .4  | 10  | .4             | 10  |
| <b>MB030-PR</b> | 03AT30/032AT50 Series, Set of two upper Brackets                |            |     |      |     |      |     |     |     |     |     |     |     |     |     |                |     |
| <b>MB040-UB</b> | 040A100 Series, Upper Bracket                                   | 4          | 102 | 5.8  | 148 | 5    | 127 | 3   | 76  | .6  | 16  | 3.8 | 95  | .4  | 10  | .4             | 10  |
| <b>MB040-PR</b> | 040A100 Series, Set of two upper brackets                       |            |     |      |     |      |     |     |     |     |     |     |     |     |     |                |     |
| <b>MB047-UB</b> | 045AL/047A30 (EBR20/30-1 Qt. Series), Upper Brkt                | 4.7        | 119 | 6.4  | 162 | 5.7  | 145 | 3.5 | 89  | .7  | 17  | 3.8 | 95  | .4  | 10  | .4             | 10  |
| <b>MB047-PR</b> | 045AL/047A30 (EBR20/30-1 Qt. Series), Set of 2 upper brackets   |            |     |      |     |      |     |     |     |     |     |     |     |     |     |                |     |
| <b>MB052-UB</b> | 052A50 Series (EBR50/60-1 Qt. Series), Upper Brkt               | 5.2        | 133 | 7.2  | 181 | 6.1  | 155 | 3.5 | 89  | 1.1 | 27  | 3.8 | 95  | .4  | 10  | .4             | 10  |
| <b>MB052-PR</b> | 052A50 Series, (EBR50/60-1 Qt. Series), Set of 2 upper brackets |            |     |      |     |      |     |     |     |     |     |     |     |     |     |                |     |
| <b>MB067-UB</b> | 067A20/067A30 Series, Upper Bracket                             | 6.8        | 171 | 9.9  | 251 | 8.2  | 208 | 5   | 127 | 1.3 | 32  | 4.8 | 121 | .6  | 14  | .6             | 14  |
| <b>MB067-LB</b> | 067A20/067A30 Series, Lower Bracket                             |            |     |      |     |      |     |     |     |     |     |     |     |     |     |                |     |
| <b>MB067-PR</b> | 067A20/067A30, Set (1 Upper/1 Lower)                            |            |     |      |     |      |     |     |     |     |     |     |     |     |     |                |     |
| <b>MB090-UB</b> | 090A30/090A50 Series, Upper Bracket                             | 9          | 229 | 12.6 | 321 | 10.3 | 262 | 7   | 178 | 1.4 | 35  | 4.8 | 121 | .7  | 17  | .7             | 17  |
| <b>MB090-LB</b> | 090A30/090A50 Series, Lower Bracket                             |            |     |      |     |      |     |     |     |     |     |     |     |     |     |                |     |
| <b>MB090-PR</b> | 090A30/090A50 Series, Set (1 Upper/1 Lower)                     |            |     |      |     |      |     |     |     |     |     |     |     |     |     |                |     |

\*Pair consists of one upper bracket & one lower bracket. Specifications subject to change without notice



| Part Number     | Description                          | Dimensions |     |      |     |      |     |      |     |     |     |     |     |     |     |                |     |
|-----------------|--------------------------------------|------------|-----|------|-----|------|-----|------|-----|-----|-----|-----|-----|-----|-----|----------------|-----|
|                 |                                      | D          |     | W    |     | H    |     | A    |     | B   |     | C   |     | E   |     | Mounting Holes |     |
|                 |                                      | In.        | mm. | In.  | mm. | In.  | mm. | In.  | mm. | In. | mm. | In. | mm. | In. | mm. | In.            | mm. |
| <b>MB140-UB</b> | 140A30 Series, Upper Bracket         | 14         | 356 | 26.6 | 676 | 18.6 | 473 | 23.1 | 587 | 1.8 | 46  | 8   | 203 | .7  | 17  | .7             | 17  |
| <b>MB140-PR</b> | 140A30 Series, Set (1 Upper/1 Lower) |            |     |      |     |      |     |      |     |     |     |     |     |     |     |                |     |



| Part Number     | Description                         | Dimensions |     |     |     |
|-----------------|-------------------------------------|------------|-----|-----|-----|
|                 |                                     | F          |     | K   |     |
|                 |                                     | In.        | mm. | In. | mm. |
| <b>MB067-LB</b> | 067A20/067A30 Series, Lower Bracket | 1.3        | 32  | .7  | 16  |
| <b>MB090-LB</b> | 090A30/090A50 Series, Lower Bracket | 1.7        | 41  | 1   | 25  |
| <b>M140-LB</b>  | 140A30 Series, Upper Bracket        | 12         | 305 | 4   | 102 |

Specifications subject to change without notice

TOBUL ACCUMULATOR INCORPORATED

[www.fst.com](http://www.fst.com)