

# SPRING-ENERGIZED PTFE SEALS FOR AIR CONDITIONING COMPRESSORS



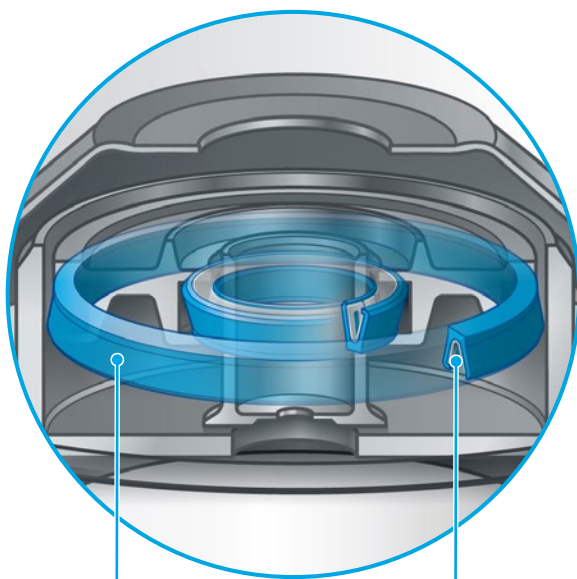
Specialized spring-loaded PTFE (polytetrafluoroethylene) seal designed for dynamic scroll-type air conditioning compressor applications for sealing the seal plate to the fixed scroll. Seal design allows for high angles of misalignment without reducing sealing performance. Designed for easy assembly into the housing.

## TYPICAL OPERATING CONDITIONS

- Maximum pressure differential: 1000 psi (70 Bar)
- Wide temperature range: -40 °F to +400 °F (-40 °C to +204 °C)
- Seal material compatible with all known refrigerants and compressor oils

## VALUES FOR THE CUSTOMER

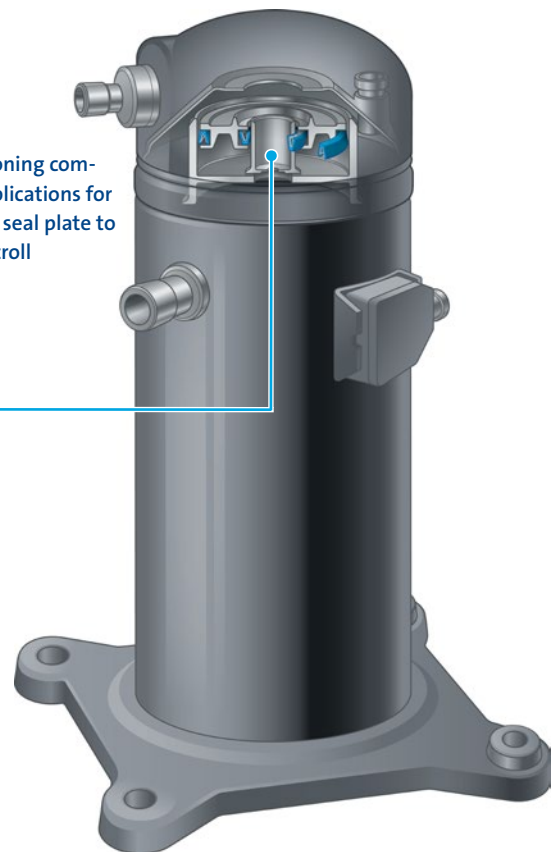
- Customized design profile for scroll compressor applications
- Seal profile allows for easy assembly in the gland
- Sealing profile optimized to improve sealing, even during wobbling and misalignment of seal plate during operation
- Proprietary FNST Quantum® PTFE with optional fillers for low friction, low wear, no “stick-slip” effect, and long life



Quantum® PTFE / Seal Jacket

Stainless Steel / Spring Energizer

Air conditioning compressor applications for sealing the seal plate to the fixed scroll



## CONTACT US

Our experienced and dedicated staff are on hand to provide process support from initial concept through qualification and delivery. For further details, or if you have current or future project requirements, please contact our team at: [sales\\_generalindustry@fst.com](mailto:sales_generalindustry@fst.com)

The information contained herein is believed to be reliable, but no representation, guarantees or warranties of any kind are made to its accuracy or suitability for any purpose. The information presented herein is based on laboratory testing and does not necessarily indicate end product performance. Full scale testing and end product performance are the responsibility of the user.

[www.fst.com](http://www.fst.com)