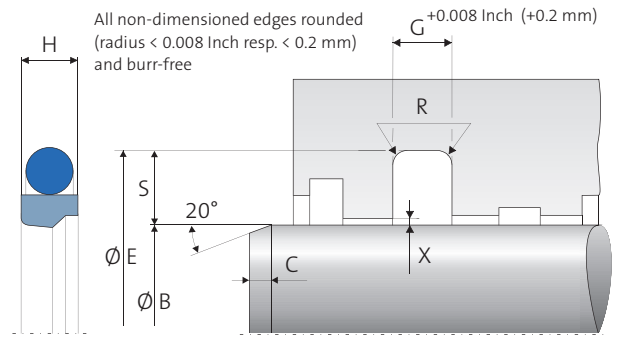


GROOVE SIZES—OMS-MR STANDARD RANGE—INCH (IN)



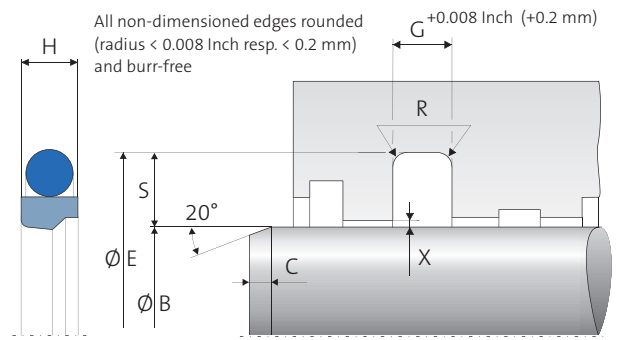
Dash No.*	ØB Rod Diameter ID	Tolerance ØB	ØE Groove Diameter OD	Tolerance ØE	S Nominal Radial Gland Height (OD-ID)/2	H Axial Seal Width	G Groove Width	R Radius max.	X Permissible Gap Dimension max.	C Axial Chamfer Length
008	0.185	-0.001	0.378	0.001	0.097	0.079	0.087	0.012	0.004	0.079
009	0.217	-0.001	0.410	0.001	0.097	0.079	0.087	0.012	0.004	0.079
010	0.248	-0.001	0.441	0.001	0.097	0.079	0.087	0.012	0.004	0.079
011	0.310	-0.001	0.503	0.001	0.097	0.079	0.087	0.012	0.004	0.079
012	0.373	-0.001	0.566	0.001	0.097	0.079	0.087	0.012	0.004	0.079
013	0.435	-0.002	0.628	0.002	0.097	0.079	0.087	0.012	0.005	0.079
014	0.498	-0.002	0.691	0.002	0.097	0.079	0.087	0.012	0.005	0.079
015	0.560	-0.002	0.753	0.002	0.097	0.079	0.087	0.012	0.005	0.079
016	0.623	-0.002	0.816	0.002	0.097	0.079	0.087	0.012	0.005	0.079
017	0.685	-0.002	0.878	0.002	0.097	0.079	0.087	0.012	0.005	0.079
018	0.748	-0.002	0.941	0.002	0.097	0.079	0.087	0.012	0.005	0.079
019	0.810	-0.002	1.003	0.002	0.096	0.079	0.087	0.012	0.005	0.079
020	0.873	-0.002	1.066	0.002	0.097	0.079	0.087	0.012	0.005	0.079
021	0.935	-0.002	1.128	0.002	0.096	0.079	0.087	0.012	0.005	0.079
022	0.998	-0.002	1.191	0.002	0.097	0.079	0.087	0.012	0.005	0.079
023	1.060	-0.002	1.253	0.002	0.096	0.079	0.087	0.012	0.005	0.079
024	1.123	-0.002	1.316	0.002	0.097	0.079	0.087	0.012	0.005	0.079
025	1.185	-0.002	1.378	0.002	0.096	0.079	0.087	0.012	0.005	0.079
026	1.248	-0.002	1.441	0.002	0.097	0.079	0.087	0.012	0.005	0.079
027	1.310	-0.002	1.503	0.002	0.096	0.079	0.087	0.012	0.005	0.079
028	1.373	-0.002	1.566	0.002	0.097	0.079	0.087	0.012	0.005	0.079
108	0.248	-0.001	0.535	0.001	0.144	0.118	0.126	0.020	0.004	0.118
109	0.310	-0.001	0.597	0.001	0.144	0.118	0.126	0.020	0.004	0.118
110	0.373	-0.002	0.660	0.002	0.144	0.118	0.126	0.020	0.005	0.118
111	0.435	-0.002	0.722	0.002	0.144	0.118	0.126	0.020	0.005	0.118
112	0.498	-0.002	0.785	0.002	0.144	0.118	0.126	0.020	0.005	0.118

*Freudenberg's rod seal set OMS-MR matches all AS4716 rod sizes with different gland sizes. Custom designs are available on request.

The information contained herein is believed to be reliable, but no representation, guarantees or warranties of any kind are made to its accuracy or suitability for any purpose. The information presented herein is based on laboratory testing and does not necessarily indicate end product performance. Full scale testing and end product performance are the responsibility of the user.

www.fst.com

GROOVE SIZES—OMS-MR STANDARD RANGE—INCH (IN)



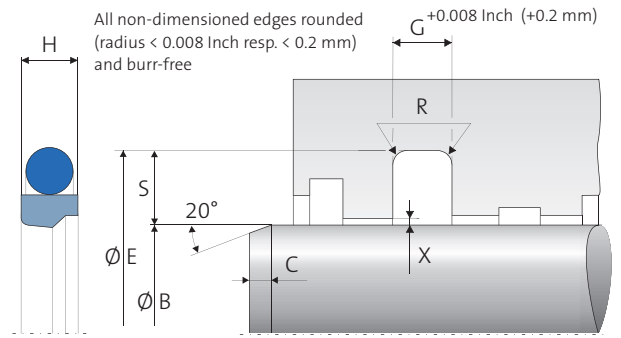
Dash No.*	ØB Rod Diameter ID	Tolerance ØB	ØE Groove Diameter OD	Tolerance ØE	S Nominal Radial Gland Height (OD-ID)/2	H Axial Seal Width	G Groove Width	R Radius max.	X Permissible Gap Dimension max.	C Axial Chamfer Length
113	0.560	-0.002	0.847	0.002	0.144	0.118	0.126	0.020	0.005	0.118
114	0.623	-0.002	0.910	0.002	0.144	0.118	0.126	0.020	0.005	0.118
115	0.685	-0.002	0.972	0.002	0.144	0.118	0.126	0.020	0.005	0.118
116	0.748	-0.002	1.035	0.002	0.144	0.118	0.126	0.020	0.005	0.118
117	0.810	-0.002	1.097	0.002	0.144	0.118	0.126	0.020	0.005	0.118
118	0.873	-0.002	1.160	0.002	0.144	0.118	0.126	0.020	0.005	0.118
119	0.935	-0.002	1.222	0.002	0.144	0.118	0.126	0.020	0.005	0.118
120	0.998	-0.002	1.285	0.002	0.144	0.118	0.126	0.020	0.005	0.118
121	1.060	-0.002	1.347	0.002	0.144	0.118	0.126	0.020	0.005	0.118
122	1.123	-0.002	1.410	0.002	0.144	0.118	0.126	0.020	0.005	0.118
123	1.185	-0.002	1.472	0.002	0.144	0.118	0.126	0.020	0.005	0.118
124	1.248	-0.002	1.535	0.002	0.144	0.118	0.126	0.020	0.005	0.118
125	1.310	-0.002	1.597	0.002	0.144	0.118	0.126	0.020	0.005	0.118
126	1.373	-0.002	1.660	0.002	0.144	0.118	0.126	0.020	0.005	0.118
127	1.435	-0.002	1.722	0.002	0.144	0.118	0.126	0.020	0.006	0.118
128	1.498	-0.002	1.785	0.002	0.144	0.118	0.126	0.020	0.006	0.118
129	1.560	-0.002	1.847	0.002	0.144	0.118	0.126	0.020	0.006	0.118
130	1.623	-0.002	1.910	0.002	0.144	0.118	0.126	0.020	0.006	0.118
131	1.685	-0.002	1.972	0.002	0.144	0.118	0.126	0.020	0.006	0.118
132	1.748	-0.002	2.035	0.002	0.144	0.118	0.126	0.020	0.006	0.118
133	1.810	-0.002	2.097	0.002	0.144	0.118	0.126	0.020	0.007	0.118
134	1.873	-0.002	2.160	0.002	0.144	0.118	0.126	0.020	0.007	0.118
135	1.936	-0.002	2.223	0.002	0.144	0.118	0.126	0.020	0.007	0.118
136	1.998	-0.002	2.285	0.002	0.144	0.118	0.126	0.020	0.007	0.118
137	2.061	-0.002	2.348	0.002	0.144	0.118	0.126	0.020	0.007	0.118
138	2.123	-0.002	2.410	0.002	0.144	0.118	0.126	0.020	0.007	0.118
139	2.186	-0.002	2.473	0.002	0.144	0.118	0.126	0.020	0.007	0.118
140	2.248	-0.002	2.535	0.002	0.144	0.118	0.126	0.020	0.007	0.118
141	2.311	-0.002	2.598	0.002	0.144	0.118	0.126	0.020	0.007	0.118

*Freudenberg's rod seal set OMS-MR matches all AS4716 rod sizes with different gland sizes. Custom designs are available on request.

The information contained herein is believed to be reliable, but no representation, guarantees or warranties of any kind are made to its accuracy or suitability for any purpose. The information presented herein is based on laboratory testing and does not necessarily indicate end product performance. Full scale testing and end product performance are the responsibility of the user.

www.fst.com

GROOVE SIZES—OMS-MR STANDARD RANGE—INCH (IN)



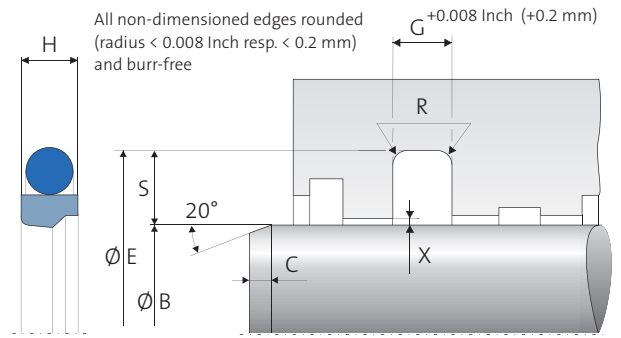
Dash No.*	ØB Rod Diameter ID	Tolerance ØB	ØE Groove Diameter OD	Tolerance ØE	S Nominal Radial Gland Height (OD-ID)/2	H Axial Seal Width	G Groove Width	R Radius max.	X Permissible Gap Dimension max.	C Axial Chamfer Length
142	2.373	-0.002	2.660	0.002	0.144	0.118	0.126	0.020	0.007	0.118
143	2.436	-0.002	2.723	0.002	0.144	0.118	0.126	0.020	0.007	0.118
144	2.498	-0.002	2.785	0.002	0.144	0.118	0.126	0.020	0.007	0.118
145	2.561	-0.002	2.848	0.002	0.144	0.118	0.126	0.020	0.007	0.118
146	2.623	-0.002	2.910	0.002	0.144	0.118	0.126	0.020	0.007	0.118
147	2.686	-0.002	2.973	0.002	0.144	0.118	0.126	0.020	0.007	0.118
148	2.748	-0.002	3.035	0.002	0.144	0.118	0.126	0.020	0.007	0.118
149	2.811	-0.002	3.098	0.002	0.144	0.118	0.126	0.020	0.007	0.118
210	0.748	-0.002	1.169	0.002	0.211	0.157	0.165	0.031	0.005	0.138
211	0.810	-0.002	1.231	0.002	0.211	0.157	0.165	0.031	0.005	0.138
212	0.873	-0.002	1.294	0.002	0.211	0.157	0.165	0.031	0.005	0.138
213	0.935	-0.002	1.356	0.002	0.211	0.157	0.165	0.031	0.005	0.138
214	0.998	-0.002	1.419	0.002	0.211	0.157	0.165	0.031	0.005	0.138
215	1.060	-0.002	1.481	0.002	0.211	0.157	0.165	0.031	0.005	0.138
216	1.123	-0.002	1.544	0.002	0.211	0.157	0.165	0.031	0.005	0.138
217	1.185	-0.002	1.606	0.002	0.211	0.157	0.165	0.031	0.005	0.138
218	1.248	-0.002	1.669	0.002	0.211	0.157	0.165	0.031	0.005	0.138
219	1.310	-0.002	1.731	0.002	0.211	0.157	0.165	0.031	0.005	0.138
220	1.373	-0.002	1.794	0.002	0.211	0.157	0.165	0.031	0.005	0.138
221	1.435	-0.002	1.856	0.002	0.211	0.157	0.165	0.031	0.005	0.138
222	1.498	-0.002	1.919	0.002	0.211	0.157	0.165	0.031	0.005	0.138
223	1.623	-0.002	2.044	0.002	0.211	0.157	0.165	0.031	0.006	0.138
224	1.748	-0.002	2.169	0.002	0.211	0.157	0.165	0.031	0.006	0.138
225	1.873	-0.002	2.294	0.002	0.211	0.157	0.165	0.031	0.007	0.138
226	1.998	-0.002	2.419	0.002	0.211	0.157	0.165	0.031	0.007	0.138
227	2.123	-0.002	2.544	0.002	0.211	0.157	0.165	0.031	0.007	0.138
228	2.248	-0.002	2.669	0.002	0.211	0.157	0.165	0.031	0.007	0.138
229	2.373	-0.002	2.794	0.002	0.211	0.157	0.165	0.031	0.007	0.138

*Freudenberg's rod seal set OMS-MR matches all AS4716 rod sizes with different gland sizes. Custom designs are available on request.

The information contained herein is believed to be reliable, but no representation, guarantees or warranties of any kind are made to its accuracy or suitability for any purpose. The information presented herein is based on laboratory testing and does not necessarily indicate end product performance. Full scale testing and end product performance are the responsibility of the user.

www.fst.com

GROOVE SIZES—OMS-MR STANDARD RANGE—INCH (IN)



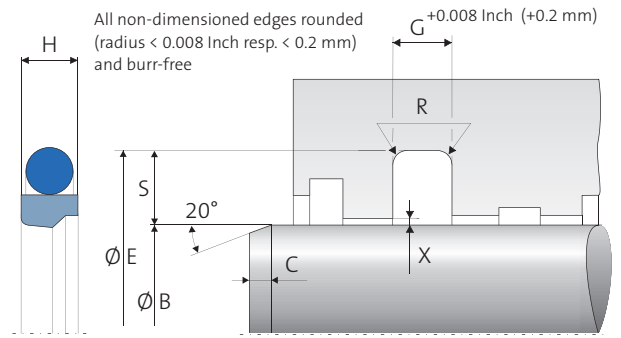
Dash No.*	ØB Rod Diameter ID	Tolerance ØB	ØE Groove Diameter OD	Tolerance ØE	S Nominal Radial Gland Height (OD-ID)/2	H Axial Seal Width	G Groove Width	R Radius max.	X Permissible Gap Dimension max.	C Axial Chamfer Length
230	2.498	-0.002	2.919	0.002	0.211	0.157	0.165	0.031	0.007	0.138
231	2.623	-0.002	3.044	0.002	0.211	0.157	0.165	0.031	0.007	0.138
232	2.748	-0.002	3.169	0.002	0.211	0.157	0.165	0.031	0.007	0.138
233	2.873	-0.002	3.294	0.002	0.211	0.157	0.165	0.031	0.007	0.138
234	2.997	-0.002	3.418	0.002	0.211	0.157	0.165	0.031	0.007	0.138
235	3.122	-0.002	3.543	0.002	0.211	0.157	0.165	0.031	0.007	0.138
236	3.247	-0.002	3.668	0.002	0.211	0.157	0.165	0.031	0.007	0.138
237	3.372	-0.002	3.793	0.002	0.211	0.157	0.165	0.031	0.007	0.138
238	3.497	-0.002	3.918	0.002	0.211	0.157	0.165	0.031	0.007	0.138
239	3.622	-0.002	4.043	0.002	0.211	0.157	0.165	0.031	0.007	0.138
240	3.747	-0.002	4.168	0.002	0.211	0.157	0.165	0.031	0.007	0.138
241	3.872	-0.002	4.293	0.002	0.211	0.157	0.165	0.031	0.007	0.138
242	3.997	-0.002	4.418	0.002	0.211	0.157	0.165	0.031	0.007	0.138
243	4.122	-0.002	4.543	0.002	0.211	0.157	0.165	0.031	0.007	0.138
244	4.247	-0.002	4.668	0.002	0.211	0.157	0.165	0.031	0.007	0.138
245	4.372	-0.002	4.793	0.002	0.211	0.157	0.165	0.031	0.007	0.138
246	4.497	-0.002	4.918	0.002	0.211	0.157	0.165	0.031	0.008	0.138
247	4.622	-0.002	5.043	0.002	0.211	0.157	0.165	0.031	0.008	0.138
325	1.498	-0.002	2.092	0.002	0.297	0.232	0.248	0.047	0.006	0.217
326	1.623	-0.002	2.217	0.002	0.297	0.232	0.248	0.047	0.006	0.217
327	1.748	-0.002	2.342	0.002	0.297	0.232	0.248	0.047	0.006	0.217
328	1.873	-0.002	2.467	0.002	0.297	0.232	0.248	0.047	0.007	0.217
329	1.998	-0.002	2.592	0.002	0.297	0.232	0.248	0.047	0.007	0.217
330	2.123	-0.002	2.717	0.002	0.297	0.232	0.248	0.047	0.007	0.217
331	2.248	-0.002	2.842	0.002	0.297	0.232	0.248	0.047	0.007	0.217
332	2.373	-0.002	2.967	0.002	0.297	0.232	0.248	0.047	0.007	0.217
333	2.498	-0.002	3.092	0.002	0.297	0.232	0.248	0.047	0.007	0.217
334	2.623	-0.002	3.217	0.002	0.297	0.232	0.248	0.047	0.007	0.217

*Freudenberg's rod seal set OMS-MR matches all AS4716 rod sizes with different gland sizes. Custom designs are available on request.

The information contained herein is believed to be reliable, but no representation, guarantees or warranties of any kind are made to its accuracy or suitability for any purpose. The information presented herein is based on laboratory testing and does not necessarily indicate end product performance. Full scale testing and end product performance are the responsibility of the user.

www.fst.com

GROOVE SIZES—OMS-MR STANDARD RANGE—INCH (IN)



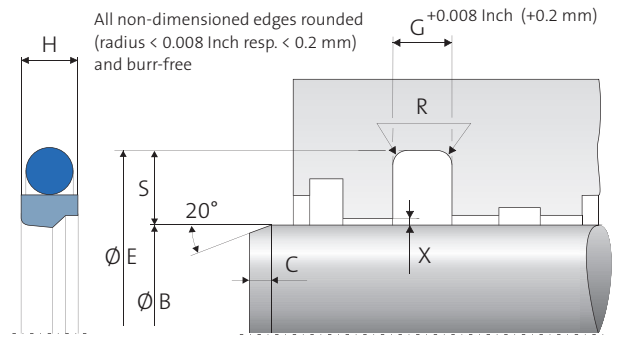
Dash No.*	ØB Rod Diameter ID	Tolerance ØB	ØE Groove Diameter OD	Tolerance ØE	S Nominal Radial Gland Height (OD-ID)/2	H Axial Seal Width	G Groove Width	R Radius max.	X Permissible Gap Dimension max.	C Axial Chamfer Length
335	2.748	-0.002	3.342	0.002	0.297	0.232	0.248	0.047	0.007	0.217
336	2.873	-0.002	3.467	0.002	0.297	0.232	0.248	0.047	0.007	0.217
337	2.997	-0.002	3.591	0.002	0.297	0.232	0.248	0.047	0.007	0.217
338	3.122	-0.002	3.716	0.002	0.297	0.232	0.248	0.047	0.007	0.217
339	3.247	-0.002	3.841	0.002	0.297	0.232	0.248	0.047	0.007	0.217
340	3.372	-0.002	3.966	0.002	0.297	0.232	0.248	0.047	0.007	0.217
341	3.497	-0.002	4.091	0.002	0.297	0.232	0.248	0.047	0.007	0.217
342	3.622	-0.002	4.216	0.002	0.297	0.232	0.248	0.047	0.007	0.217
343	3.747	-0.002	4.341	0.002	0.297	0.232	0.248	0.047	0.007	0.217
344	3.872	-0.002	4.466	0.002	0.297	0.232	0.248	0.047	0.007	0.217
345	3.997	-0.002	4.591	0.002	0.297	0.232	0.248	0.047	0.007	0.217
346	4.122	-0.002	4.716	0.002	0.297	0.232	0.248	0.047	0.007	0.217
347	4.247	-0.002	4.841	0.002	0.297	0.232	0.248	0.047	0.007	0.217
348	4.372	-0.002	4.966	0.002	0.297	0.232	0.248	0.047	0.007	0.217
349	4.497	-0.002	5.091	0.002	0.297	0.232	0.248	0.047	0.007	0.217
425	4.497	-0.003	5.304	0.003	0.404	0.299	0.319	0.079	0.009	0.315
426	4.622	-0.003	5.429	0.003	0.404	0.299	0.319	0.079	0.009	0.315
427	4.747	-0.003	5.554	0.003	0.404	0.299	0.319	0.079	0.009	0.315
428	4.872	-0.003	5.679	0.003	0.404	0.299	0.319	0.079	0.009	0.315
429	4.997	-0.003	5.804	0.003	0.404	0.299	0.319	0.079	0.009	0.315
430	5.122	-0.003	5.929	0.003	0.404	0.299	0.319	0.079	0.009	0.315
431	5.247	-0.003	6.054	0.003	0.404	0.299	0.319	0.079	0.009	0.315
432	5.372	-0.003	6.179	0.003	0.404	0.299	0.319	0.079	0.009	0.315
433	5.497	-0.003	6.304	0.003	0.404	0.299	0.319	0.079	0.009	0.315
434	5.622	-0.003	6.429	0.003	0.404	0.299	0.319	0.079	0.009	0.315
435	5.747	-0.003	6.554	0.003	0.404	0.299	0.319	0.079	0.009	0.315
436	5.872	-0.003	6.679	0.003	0.404	0.299	0.319	0.079	0.009	0.315
437	5.997	-0.003	6.804	0.003	0.404	0.299	0.319	0.079	0.009	0.315

*Freudenberg's rod seal set OMS-MR matches all AS4716 rod sizes with different gland sizes. Custom designs are available on request.

The information contained herein is believed to be reliable, but no representation, guarantees or warranties of any kind are made to its accuracy or suitability for any purpose. The information presented herein is based on laboratory testing and does not necessarily indicate end product performance. Full scale testing and end product performance are the responsibility of the user.

www.fst.com

GROOVE SIZES—OMS-MR STANDARD RANGE—INCH (IN)



Dash No.*	ØB Rod Diameter ID	Tolerance ØB	ØE Groove Diameter OD	Tolerance ØE	S Nominal Radial Gland Height (OD-ID)/2	H Axial Seal Width	G Groove Width	R Radius max.	X Permissible Gap Dimension max.	C Axial Chamfer Length
438	6.247	-0.003	7.054	0.003	0.404	0.299	0.319	0.079	0.009	0.315
439	6.497	-0.003	7.304	0.003	0.404	0.299	0.319	0.079	0.010	0.315
440	6.747	-0.003	7.554	0.003	0.404	0.299	0.319	0.079	0.010	0.315
441	6.997	-0.003	7.804	0.003	0.404	0.299	0.319	0.079	0.010	0.315
442	7.247	-0.003	8.054	0.003	0.404	0.299	0.319	0.079	0.010	0.315
443	7.497	-0.003	8.304	0.003	0.404	0.299	0.319	0.079	0.010	0.315
444	7.747	-0.003	8.554	0.003	0.404	0.299	0.319	0.079	0.010	0.315
445	7.997	-0.003	8.804	0.003	0.404	0.299	0.319	0.079	0.010	0.315
446	8.497	-0.003	9.304	0.003	0.404	0.299	0.319	0.079	0.010	0.315
447	8.997	-0.004	9.804	0.004	0.404	0.299	0.319	0.079	0.010	0.315
448	9.497	-0.004	10.304	0.004	0.404	0.299	0.319	0.079	0.010	0.315
449	9.997	-0.004	10.804	0.004	0.404	0.299	0.319	0.079	0.010	0.315
450	10.497	-0.004	11.304	0.004	0.404	0.299	0.319	0.079	0.010	0.315
451	10.997	-0.004	11.804	0.004	0.404	0.299	0.319	0.079	0.010	0.315
452	11.497	-0.004	12.304	0.004	0.404	0.299	0.319	0.079	0.010	0.315
453	11.997	-0.004	12.804	0.004	0.404	0.299	0.319	0.079	0.010	0.315
454	12.497	-0.004	13.304	0.004	0.404	0.299	0.319	0.079	0.010	0.315
455	12.997	-0.004	13.804	0.004	0.404	0.299	0.319	0.079	0.010	0.315
456	13.497	-0.004	14.304	0.004	0.404	0.299	0.319	0.079	0.010	0.315
457	13.997	-0.004	14.804	0.004	0.404	0.299	0.319	0.079	0.010	0.315
458	14.497	-0.004	15.304	0.004	0.404	0.299	0.319	0.079	0.010	0.315
459	14.997	-0.004	15.804	0.004	0.404	0.299	0.319	0.079	0.010	0.315
460	15.497	-0.004	16.304	0.004	0.403	0.299	0.319	0.079	0.010	0.315

*Freudenberg's rod seal set OMS-MR matches all AS4716 rod sizes with different gland sizes. Custom designs are available on request.

The information contained herein is believed to be reliable, but no representation, guarantees or warranties of any kind are made to its accuracy or suitability for any purpose. The information presented herein is based on laboratory testing and does not necessarily indicate end product performance. Full scale testing and end product performance are the responsibility of the user.

www.fst.com