



# MILEMAKER® SEALS

**MileMaker is engineered for superior performance.**

The new MileMaker heavy duty wheel seals deliver significant energy savings and increase the reliability and durability performance expectations for wheel seals in the heavy duty truck and trailer industry.

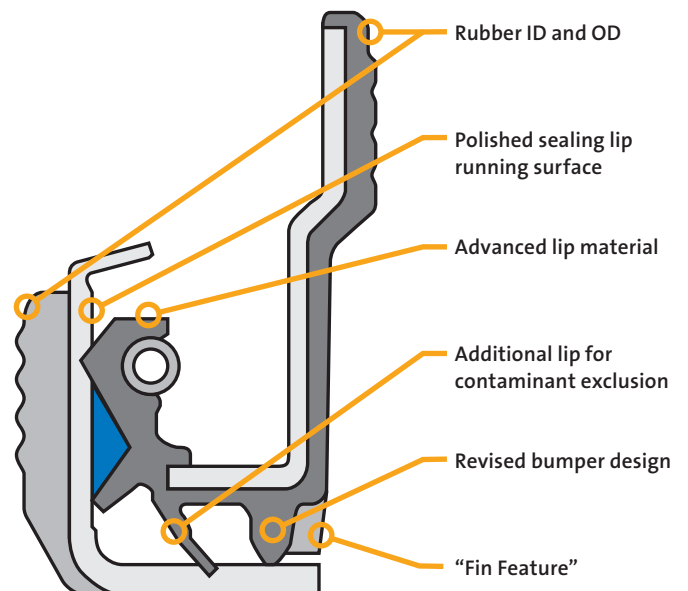
MileMaker seals' design incorporates proprietary materials, advance main lip design geometry, and an integrated polished wear sleeve for the seal to run on. This advanced combination results in low-torque performance while not sacrificing contaminate exclusion, resulting in an industry leading 500,000+ mile long seal life.

MileMaker seals' low-friction torque design offers potential fuel savings of €1,195–€1,930 (US\$1,300–\$2,100)\* per tractor/trailer combo over a potential warrantable life of 350,000 miles, due to 50% less operating torque than competitors' seals. MileMaker seals include a patented "dirt exclusion fin" that assists in keeping contamination away from the seal and leads to increased seal durability and performance life

\* Fuel savings based on diesel fuel at current \$4.00/gal. and based on 10-wheel end positions

## VALUES FOR THE CUSTOMER

- Proprietary design lowers torque leading to lower internal heat generation, excellent wear resistance, and improved fuel economy
- Higher operating temperatures—up to 178°C
- Compatible with mineral and synthetic oils, and grease lubricants
- Superior protection against contaminants with "Fin Feature" and additional contaminant exclusion lip increasing performance and seal life
- Lubricated ID design seals minor hub or spindle imperfections





## FEATURES AND BENEFITS

Application	MileMaker Part Number	Installation Tool	Installation Bearing Guide	Bearings Inner Cone/Cup	Bearings Outer Cone/Cup
<b>Steer Axle, 12,000#</b> Dana Spicer, Eaton, Rockwell, Ford, Freightliner & Sterling, Kenworth, Mack, Navistar, Peterbilt, Volvo, Western Star	44847	44847T	BCT-6 BCT-4 BCT-3 BCT-2	HM212049/HM212011 HM212047/HM212011 HM212044/HM212011 39581/39520	3782/3720 3782/3720 3782/3720 3585/3725
<b>Drive Axle, 38,000#, 46,000#</b> Tandem, Dana Spicer, Eaton, Rockwell, Ford, Freightliner & Sterling, Kenworth, Mack, Navistar, Peterbilt, Volvo, Western Star	44861	44861T	BCT-15 BCT-14 BCT-15	594 & 594A/592A 598 & 598A/592A 594A/592A	580/572 575 & 580/572 580 & 582/572
<b>Trailer Axle, 22,500#</b> Dana Spicer P, Eaton P, Delphos P, Fruehauf Pro-Par, Rockwell TP	44851	44851T	BCT-12	HM518445/HM518410	HM518445/HM518410
<b>Trailer Axle, 22,500#</b> Dana Spicer D, Eaton, Delphos D, Rockwell, Standard Forge	44859	44859T	BCT-13	HM218248/HM218210	HM212049/HM212011

### Heavy Duty Wheel Seal Interchange List

Axle	MileMaker Seal Number	MileMaker Adapter Plate	Bearing Centering Guide	SKF Scotseal	SKF Scotseal Plus	SKF Scotseal Plus XL	FM National	FM National 5-Star	Stemco Grit Guard	Stemco Guardian	Stemco Voyager	Stemco Discover
Steer	44847	44847T	BCT6	35066	35059	35058	370001A	380001A	382-8036	308-0836	383-0136	383-0236
Steer	44863	44863T	BCT8	43764	43763	43761	370048A	380048A	382-8064	308-0864	383-0164	383-0264
Drive	44849	44849T	BCT10	38780	38779	38776	370023A	380023A	392-9099	309-0912	393-0112	393-0212
Drive	44861	44861T	BCT15	47697	47695	47691 47692	370003A	380003A	392-9131	309-0973	393-0173	393-0273
Trailer	44851	44851T	BCT12	42623	42622	42627	370065A 376590A	380065A	372-7099	307-0723	373-0123	373-0223
Trailer	44859	44859T	BCT13	46305	46304	46300	370025A	380025A	372-7097	307-0743	373-0143	373-0243

The information contained herein is believed to be reliable, but no representation, guarantees or warranties of any kind are made to its accuracy or suitability for any purpose. The information presented herein is based on laboratory testing and does not necessarily indicate end product performance. Full scale testing and end product performance are the responsibility of the user.

[www.fst.com](http://www.fst.com)