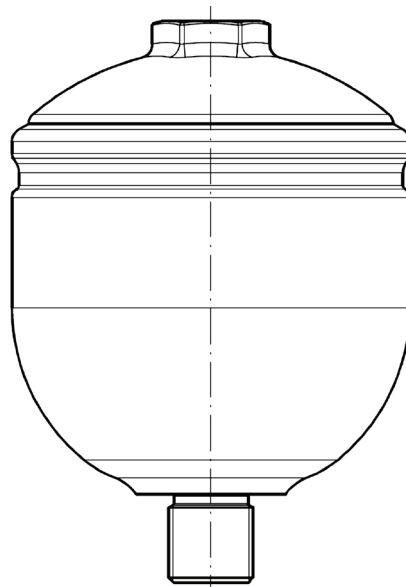


LIGHTWEIGHT ACCUMULATOR

Standard diaphragm accumulators effectively handle high pressures, but are typically heavy and their complex design increases manufacturing costs. Our new lightweight accumulators utilize a simplified design, light weight materials, and improved processes to provide a compact, economical accumulator option for certain applications

VALUES FOR THE CUSTOMER

- Improvement of of function/cost ratio
- Reduction of weight
- Elimination of parts and process steps
- Elimination of the painting process
- Improvement of the filling process



The information contained herein is believed to be reliable, but no representation, guarantees or warranties of any kind are made to its accuracy or suitability for any purpose. The information presented herein is based on laboratory testing and does not necessarily indicate end product performance. Full scale testing and end product performance are the responsibility of the user.

www.fst.com