

FREUDENBERG XPRESS® – TAYLOR-MADE FOR HEAVY INDUSTRY

ORIGINAL MERKEL SEAL DESIGNS AND MATERIALS



MERKEL RADIAMATIC RPM 41

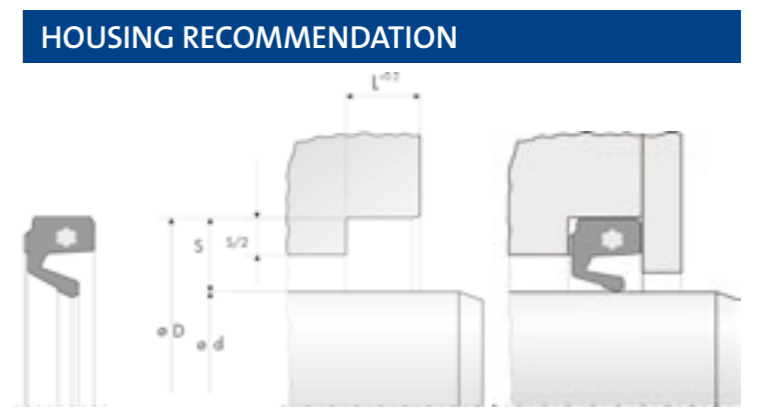
Innovative, self-retaining radial shaft seal made of elastomer material, featuring an integrated reinforcing element.

Designed for work rolls in steel mills.

| AVAILABLE PROFILES | | | |
|--------------------|--------|--------|--------|
| S [mm] | L [mm] | S [mm] | L [mm] |
| 19.1 | 16 | 25 | 16 |
| 19.1 | 18 | 25 | 18 |
| 20 | 16 | 25 | 20 |
| 20 | 18 | 25 | 22 |
| 20 | 20 | 25 | 25 |
| 22 | 20 | 32 | 25 |

Any diameter on-hand in the range of 200 to 1,000 mm

| OPERATING CONDITION | |
|--------------------------------------|----------------|
| Material | 85 NBR 245461 |
| Lubricating grease | -30 to +100 °C |
| Rolling oil emulsion | on request |
| Pressure $\varnothing D \leq 700$ mm | 0.05 MPa |
| Pressure $\varnothing D > 700$ mm | 0.03 MPa |
| Sliding speed | 15 m/s |



Order example Merkel Radiamatic RPM 41: (d) 500 mm x (D) 550 mm x (L) 22 mm, Material: NBR



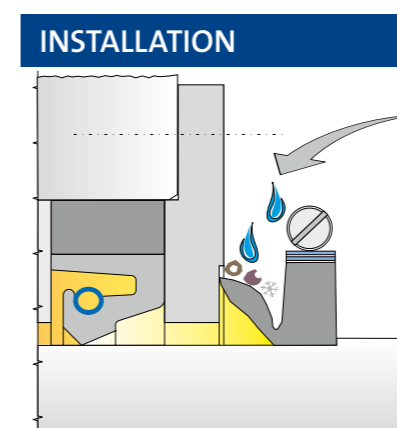
MERKEL ENVIROMATIC EA*

Innovative, multi-purpose deflector featuring a precision sealing edge design.

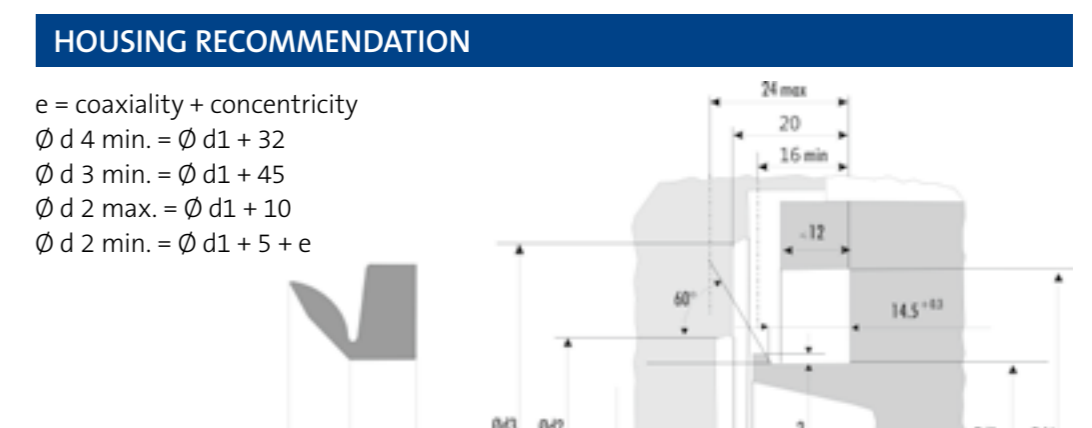
Available for shaft diameters from 200 mm up to approx. 4,000 mm.

**FKM Material on request: Values given refer to a static application. If installed on a rotating shaft, other limit values are applicable.

| OPERATING CONDITION | | |
|---------------------|-----------------|----------------|
| Material | 70 NBR / 85 NBR | 75 HNBR |
| Mineral oil | -30 to +100 °C | -20 to +140 °C |
| Water | +5 to +100 °C | +5 to +80 °C |
| Mineral grease | -30 to +100 °C | -20 to +140 °C |
| Pressure | 0.03 MPa | 0.03 MPa |
| Sliding speed | 20 m/s** | 20 m/s** |
| Axial clearance | ±4 mm | ±4 mm |



Optional clamping device, if installed on a shaft



Order example Merkel Enviromatic EA: (d1) 500 mm, Material: NBR



Type EK (piston seal)

Type ES (rod seal)

MERKEL V-PACKING SET ES / EK

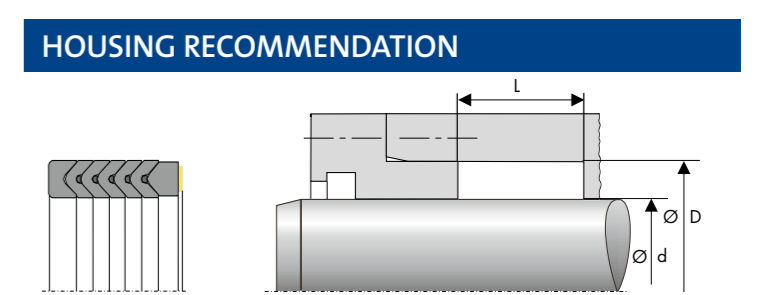
Standard V-packings, delivered in open version, for robust application areas, mainly used for maintenance.

| MATERIAL | | |
|---------------------|-------------|---------|
| Material | Designation | Design |
| Cotton fabric / NBR | BI-NBR | ES / EK |

Pressure/Support ring, V-ring

| AVAILABLE PROFILES, DIAMETER RANGE AND PACKING HEIGHTS | | | | | | |
|--------------------------------------------------------|-----------------------------|----------------------|------------------------------------------|------|------|-------|
| S [mm] | \varnothing -Range d [mm] | $\varnothing D$ [mm] | L (accord. to No. of parts per set) [mm] | | | |
| | | | 4 | 5 | 6 | 7 |
| 15.0 | 200 to 700 | d + 2 x S | 37.5 | 45.0 | 52.5 | 60.0 |
| 20.0 | 300 to 850 | d + 2 x S | 45.0 | 55.0 | 65.0 | 75.0 |
| 20.0 | 300 to 850 | d + 2 x S | 50.0 | 60.0 | 70.0 | 80.0 |
| 25.0 | 510 to 1,000 | d + 2 x S | 62.5 | 75.0 | 87.5 | 100.0 |

Compensating elements can be included in the delivery on request.



Order example Merkel V-Packing set ES: (d) 500 mm x (D) 540 mm x (L) 70 mm, Material: NBR



Type P 6

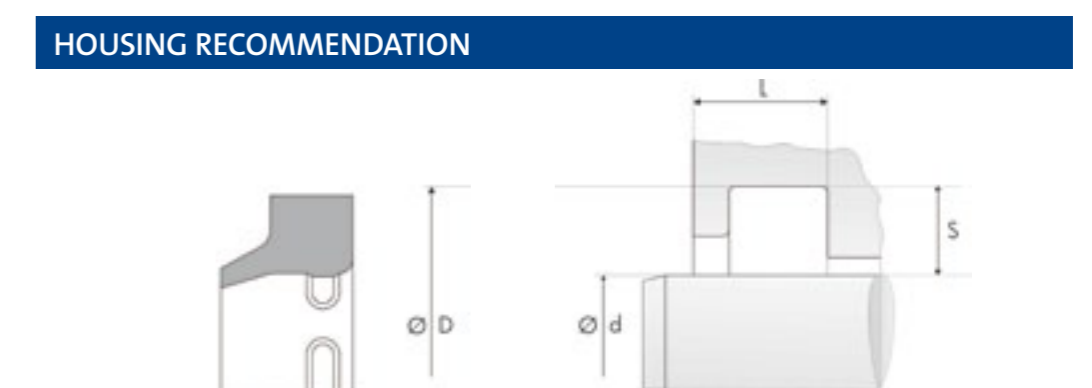
Type P 9

MERKEL WIPER P 6* / P 9*

Single acting elastomer dirt wiper P 6 with supporting elements, and elastomer double wiper P 9 with integrated sealing lip.

| MATERIAL P 6 AND P 9 | | |
|----------------------|-------------|-------|
| Material | Designation | Color |
| Nitrile rubber | NBR | black |

| AVAILABLE PROFILES | | | |
|--------------------|--------|--------|---------------------------|
| Type | S [mm] | L [mm] | \varnothing -Range [mm] |
| P 6 | 12.5 | 12.7 | 360 to 1,000 |
| P 6 | 15.0 | 15.2 | 360 to 1,000 |
| P 9 | 15.0 | 18.0 | 305 to 1,000 |



Order example Merkel wiper P 6: (d) 500 mm x (D) 525 mm x (L) 12.7 mm, Material: NBR

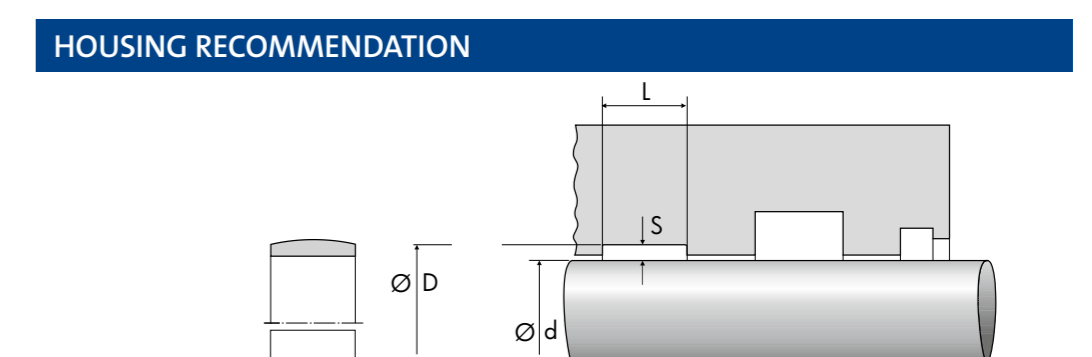


MERKEL GUIDE RING GUIVEX SBK / KBK & TYPES SB / KB

Versatile rod and piston guide ring made of laminated fabric. The Guivex versions with a patented product design (Patent No.: PCT/EP95/03874).

| MATERIAL SBK, KBK, SB AND KB | | |
|------------------------------|-------------|-------|
| Material | Designation | Color |
| fabric base laminate | HGW HG600 | gray |

| AVAILABLE PROFILES | | | |
|--------------------|--------|--------|---------------------------|
| Type | S [mm] | L [mm] | \varnothing -Range [mm] |
| SBK, KBK, SB, KB | 2.5 | 15 | > 300 |
| SBK, KBK, SB, KB | 2.5 | 25 | > 300 |
| SBK, KBK, SB, KB | 4 | 25 | > 300 |
| SBK, KBK, SB, KB | 4 | 40 | > 300 |



Order example Merkel Guivex SBK: (d) 500 mm x (D) 508 mm x (L) 25 mm, Material HGW HG600

*Please ask for current lead times

SERVICE CENTER GERMANY (HUB)

Phone: +49 (0) 6691 208 192 • E-Mail: freudenbergxpress-de@fst.com