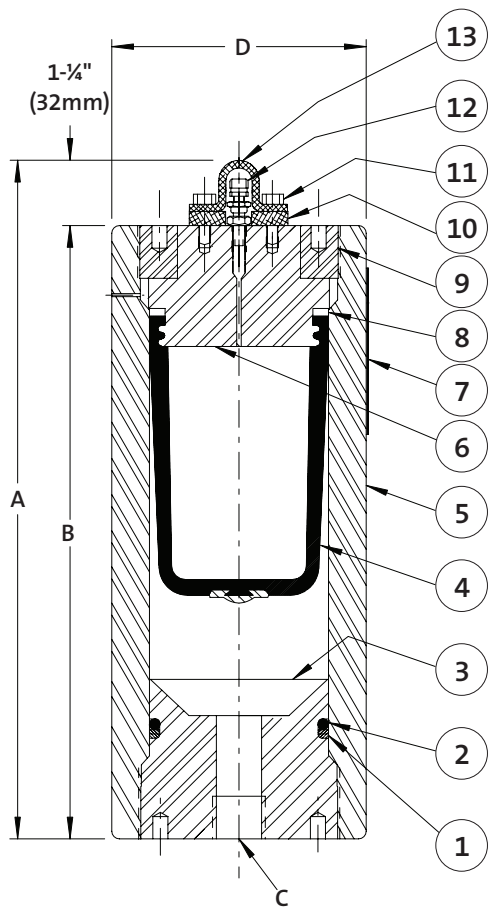


EBR50 BLADDER ACCUMULATORS

| Model Number | Gas Capacity | | Fluid Capacity | | Dry Weight | | Dimension A | | Dimension B | | Dimension C | | Dimension D | |
|--------------|------------------|------------------|----------------|--------|------------|-----|-------------|-----|-------------|-----|-------------|--|-------------|-----|
| | In. ³ | Cm. ³ | Gallon | Liters | Lbs. | Kg. | Inch | mm | Inch | mm | PORTING | | Inch | mm |
| EBR50-1NA9 | 29 | 475 | 0.12 | 0.45 | 17 | 7.7 | 12.875 | 308 | 10.375 | 264 | SAE-8 | | 3.5 | 89 |
| EBR50-2NAB | 58 | 950 | 0.25 | 1 | 52 | 24 | 12.75 | 324 | 11 | 279 | SAE-12 | | 5.25 | 133 |
| EBR50-8NAD | 231 | 3,785 | 1.0 | 4 | 104 | 47 | 20.25 | 514 | 18.5 | 470 | SAE-16 | | 6.5 | 165 |



Maximum working pressure 5,000 psi (345 bar)
 Maximum proof pressure 7,500 psi (517 bar)
 Minimum burst pressure 20,000 psi (1,380 bar)

Operating temperature (BUNA/Nitrile)
 -20° to +200°F (-28° to 93°C)

TOBUL ACCUMULATOR INCORPORATED
www.fst.com

FREUDENBERG
 SEALING TECHNOLOGIES

| Item Number | Volume | Part Number | Description | Number Required |
|-------------|-----------|-----------------|--|-----------------|
| 1 | 1 gal/4L | SB2T75 | | |
| | 1 qt/1L | SB3T60 | Ring, Back Up, PTFE | 1 |
| | 1 pt/0.5L | SB4T36 | | |
| 2 | 1 gal/4L | SO3N74 | O-Ring-End Cap Seal | 1 |
| | 1 qt/1L | SO3N60 | | |
| | 1 pt/0.5L | SO3N38 | | |
| 3 | 1 gal/4L | EF52MA40-22-D | Head, Fluid | 1 |
| | 1 qt/1L | EF42MA33-22-B | | |
| | 1 pt/0.5L | EF28MA22-21-9 | | |
| 4 | 1 gal/4L | EB-8N | Bladder, NBR | 1 |
| | 1 qt/1L | EB-2N | | |
| | 1 pt/0.5L | EB-1N | | |
| 5 | 1 gal/4L | EC52TA40-148 | Cylinder | 1 |
| | 1 qt/1L | EC42TA33-88 | | |
| | 1 pt/0.5L | EC28TA22-89.5 | | |
| 6 | 1 gal/4L | EG52MA40-23-1 | Head, Gas | 1 |
| | 1 qt/1L | EG48MA33-17-1 | | |
| | 1 pt/0.5L | EG28MA22-14.8-1 | | |
| 7 | 1 gal/4L | NP-350 | LABEL, LARGE, NON-CODE | 1 |
| | 1 qt/1L | NP-325 | LABEL, SMALL, NON-CODE | |
| | 1 pt/0.5L | NP-325 | LABEL, SMALL, NON-CODE | |
| 8 | 1 gal/4L | SB2T74 | Ring, Back Up, PTFE | 1 |
| | 1 qt/1L | SB4T57 | | |
| | 1 pt/0.5L | SB3T38 | | |
| 9 | 1 gal/4L | ERR40TL34-10 | Ring, Retaining | 1 |
| | 1 qt/1L | ERR33TB23-10 | | |
| | 1 pt/0.5L | ERR22MA10-8 | | |
| 10 | 1 gal/4L | 3A-400 | Spacer, Gas Valve Guard | 1 |
| | 1 qt/1L | | | |
| | 1 pt/0.5L | | | |
| 11 | 1 gal/4L | B-37CB16S10-B | Bolt, Long-3/8-16 x 1-1/4" Hex Socket Head | 2 |
| | 1 qt/1L | | | |
| | 1 pt/0.5L | | | |
| 12 | 1 gal/4L | 3A-285H | Valve, Gas, SS Rev 1, 5000 PSI | 1 |
| | 1 qt/1L | | | |
| | 1 pt/0.5L | | | |
| 13 | 1 gal/4L | 3A-754D | Guard, Gas Valve | 1 |
| | 1 qt/1L | | | |
| | 1 pt/0.5L | | | |

Specify seal material by selecting appropriate material code: "N" = BUNA-N, "B" = BUTYL, "E" = EPR, "V" = FKM (Viton®)
 Optional porting available if required.