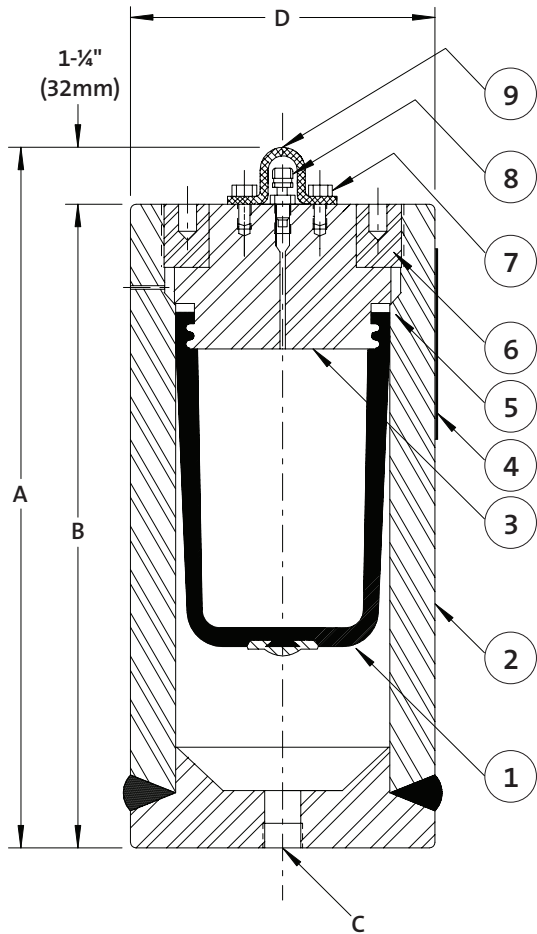


EBR20 BLADDER ACCUMULATORS

Model Number	Gas Capacity		Fluid Capacity		Dry Weight		Dimension A		Dimension B		Dimension C	Dimension D			
	In. ³	Cm. ³	Gallon	Liters	Lbs.	Kg.	Inch	mm	Inch	mm	PORTING	Inch	mm	Inch	mm
EBR20-1NA9	29	475	0.125	0.45	11	5	10.0	254	9.50	231	SAE-8	3.25	83	3.25	83
EBR20-2NAB	58	950	0.25	1	25	11	10.125	257	8.875	225	SAE-12	4.625	117	4.625	117
EBR20-8NAD	231	3785	1.0	4	55	25	18.0	450	16.75	425	SAE-16	6.75	146	6.75	146

NOTE: OPTIONAL PORTING AVAILABLE ON REQUEST



Item Number	Volume	Part Number	Description	Number Required
1	1 Pt/0.5L	EB-1N	Bladder, 1 Pt, NBR	1
	1 Qt/1L	EB-2N	Bladder, 1 Qt, NBR	
	1 Gal/4L	EB-8N	Bladder, 1 Gal, NBR	
2	1 Pt/0.5L	EC26TA22-68	Welded Cylinder & Fluid Head Assm, with porting	1
		EFW26MA22-12-9		
	1 Qt/1L	EC38TA33-60		
		EFW38MA33-13-B		
3	1 Gal/4L	EC48TA40-123	Head, Gas	1
		EFW48MA40-14.5-D		
4	1 Pt/0.5L	EG26MA22-10-1	Label, Small, Non-Code	1
	1 Qt/1L	EG48MA33-17-1		
	1 Gal/4L	EG46MA40-16-1		
5	1 Pt/0.5L	NP-325	Label, Large, Non-Code	1
	1 Qt/1L	NP-325		
	1 Gal/4L	NP-350		
6	1 Pt/0.5L	EG52MA40-23-1	Ring, Back Up, PTFE	1
	1 Qt/1L	EG48MA33-17-1		
	1 Gal/4L	EG28MA22-14.8-1		
7	1 Pt/0.5L	ERR22TA14-6	Ring, Retaining	1
	1 Qt/1L	ERR33TA24-8		
	1 Gal/4L	ERR40TL34-7		
8	—	B-.37CB16S6-B	Bolt, 3/8-16 x 3/4" Hex Socket Head	2
9	—	3A-283	Valve, Gas, SS, 3000 PSI	1
	—	3A-754D	Guard, Gas Valve, Alum.	1

Specify seal material by selecting appropriate material code:
 "N" = BUNA-N, "B" = BUTYL, "E" = EPR, "V" = FKM (Viton®)

Maximum working pressure 2,000 psi (138 bar)
 Maximum proof pressure 3,000 psi (207 bar)
 Minimum burst pressure 8,000 psi (552 bar)

Operating temperature (BUNA/Nitrile)
 -20° to +200°F (-28° to 93°C)

TOBUL ACCUMULATOR INCORPORATED

www.fst.com