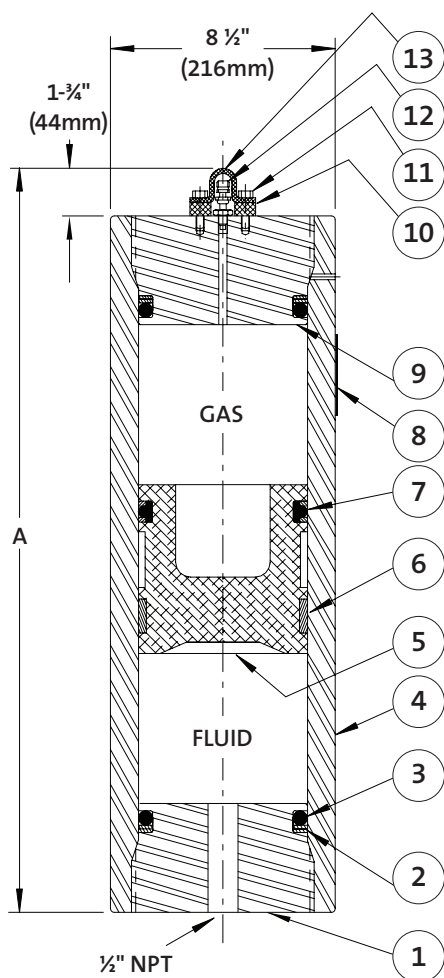


085A100 PISTON ACCUMULATORS

| Model Number | Gas Capacity | | Fluid Capacity | | Dry Weight | | Dimension A | |
|-----------------|------------------|------------------|----------------|--------|------------|-----|-------------|------|
| | In. ³ | Cm. ³ | Gallon | Liters | Lbs. | Kg. | Inch | mm |
| 085A100-12N414 | 361 | 5,914 | 1.5 | 6 | 275 | 125 | 26 | 660 |
| 085A100-20N414 | 591 | 9,678 | 2.5 | 9 | 340 | 154 | 34.125 | 867 |
| 085A100-40N414 | 1,177 | 19,292 | 5 | 19 | 508 | 230 | 54.875 | 1394 |
| 085A100-80N414 | 2,326 | 38,115 | 10 | 38 | 835 | 379 | 95.5 | 2426 |
| 085A100-160N414 | 4,637 | 75,993 | 20 | 76 | 1,494 | 677 | 177.25 | 4502 |

Tobul 085A100 Series Accumulators meet the requirements of ASME Code certification for pressure vessel



Maximum working pressure 10,000 psi (690 bar)
 Maximum proof pressure 15,000 psi (1,034 bar)
 Minimum burst pressure 40,000 psi (2,758 bar)

Operating temperature (BUNA/Nitrile)
 -20° to +200°F (-28° to 93°C)

TOBUL ACCUMULATOR INCORPORATED

www.fst.com

FREUDENBERG
 SEALING TECHNOLOGIES

| Item Number | Part Number | Description | Number Required |
|-------------|----------------|--|-----------------|
| 1 | HF48MB35-4 | Head, Fluid, 1/2"NPT | 1 |
| 2 | SB4T88 | Seal, Backup, TEFLON | 2 |
| 3 | SO4N88 | Seal, O-Ring, Head, BUNA-N | 2 |
| 4 | C68TC48-194 | Cylinder, 085A100-12, 1.5 Gallon, 6 Liters | 1 |
| | C68TC48-262 | Cylinder, 085A100-20, 2.5 Gallons, 9 Liters | |
| | C68TC48-425 | Cylinder, 085A100-40, 5 Gallons, 19 Liters | |
| | C68TC48-750 | Cylinder, 085A100-80, 10 Gallons, 38 Liters | |
| | C68TC48-1404 | Cylinder, 085A100-160, 20 Gallons, 76 Liters | |
| 5 | P48MH26T | Piston, Aluminum, Single Ring | 1 |
| 6 | SW2BT-8 | Wearband, Piston, BFT | 1 |
| 7 | ST4N88Y | Seal, Piston, "T" Seal Assembly, BUNA/NYLON | 1 |
| 8 | NP-300 | Nameplate | 1 |
| 9 | HG48MB35-1 | Head, GAS, 1/2-20 | 1 |
| 10 | 3A-400 | Spacer, GAS Valve | 1 |
| 11 | B-.37CB16S10-B | Bolt, Carbon Steel, 3/8-16 x 1 1/4 | 2 |
| 12 | 3A-286H | SS Valve, GAS, 10K, 1/2-20 UNF-3A | 1 |
| 13 | 3A-754D | Guard, Valve, Aluminum | 1 |

Optional porting/mounting/piston seal configurations available on request

Complete seal kits

| New Part Number | Type | Old Part Number |
|-----------------|--------------|------------------|
| SK085A100-NT | BUNA-N | 8.5A100-G40T-NST |
| SK085A100-VT | FKM (VITON®) | 8.5A100-G40T-ETT |
| SK085A100-ET | EPR | 8.5A100-G40T-HTT |