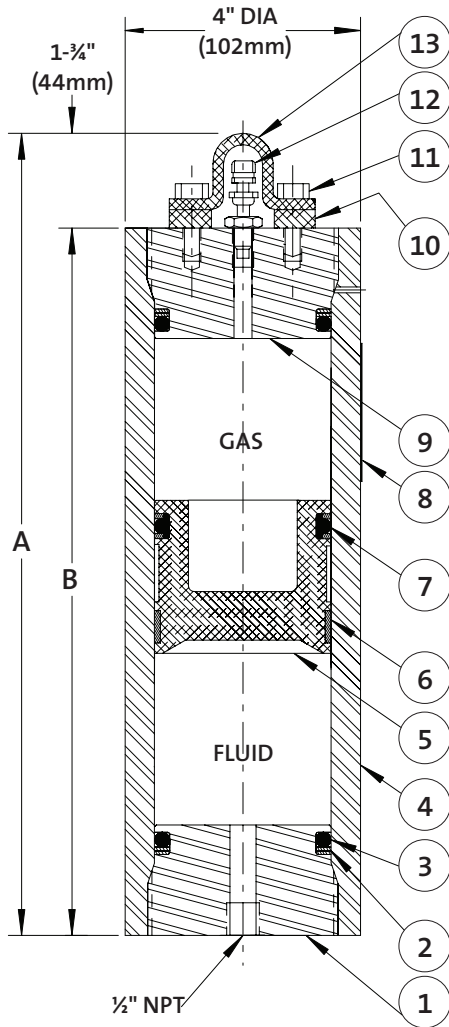


040A100 PISTON ACCUMULATORS

Model Number	Gas Capacity		Fluid Capacity		Dry Weight		Dimension A		Dimension B	
	In. ³	Cm. ³	Gallon	Liters	Lbs.	Kg.	Inch	mm	Inch	mm
040A100-.5NJ14	15	251	0.0625	0.25	25	11	12.13	308	10.375	264
040A100-1NJ14	30	493	0.125	0.49	32	14	15.13	384	13.375	340
040A100-2NJ14	60	675	0.25	1.00	45	20	21.13	536	19.375	492
040A100-4NJ14	117	1910	0.5	2.00	70	32	32.75	831	31	787



Item Number	Part Number	Description	Number Required
1	HF20MA16-4	Head, Fluid, 1/2" NPT	1
2	SB3T34	Seal, Backup, Teflon	2
3	SO3N34	Seal, O-Ring, Head, BUNA-N	2
4	C32TB20-68	Cylinder, 040A100-.5, .5 Pint, .24 Liter	1
	C32TB20-93	Cylinder, 040A100-1, 1 Pint, .5 Liter	
	C32TB20-141	Cylinder, 040A100-2, 1 Quart, 1 Liter	
	C32TB20-234	Cylinder, 040A100-4, .5 Gallon, 2 Liter	
5	P20MH12.5T	Piston, Aluminum, Single Ring	1
6	SW2S40-8	Wearband, Piston, GFT	1
7	ST3N34Y	SEAL, Piston, "T" Seal Assembly, BUNA/Nylon	1
8	NP-300	Nameplate	1
9	HG20MA16-1	Head, Gas, 1/2-20	1
10	3A-400	Spacer, Gas Valve	1
11	B-.37CB16S10-B	Bolt, Carbon Steel, 3/8-16 x 1 1/4	2
12	3A-286H	SS Valve, Gas, 10K, 1/2"-20 UNF-3A	1
13	3A-754D	Guard, Valve, Aluminum	1

Complete seal kits

New Part Number	Type	Old Part Number
SK040A100-NT	BUNA-N	4A100-G40T-NST
SK040A100-VT	FKM (VITON®)	4A100-G40T-ETT
SK040A100-ET	EPR	4A100-G40T-HTT

Specify seal material by selecting appropriate material code: "N" = BUNA-N, "B" = BUTYL, "E" = EPR, "V" = FKM (Viton®)

Optional porting/mounting/piston seal configurations available on request

Maximum working pressure 10,000 psi (690 bar)
 Maximum proof pressure 15,000 psi (1,034 bar)
 Minimum burst pressure 40,000 psi (2,758 bar)

Operating temperature (BUNA/Nitrile)
 -20° to +200°F (-28° to 93°C)

TOBUL ACCUMULATOR INCORPORATED

www.fst.com